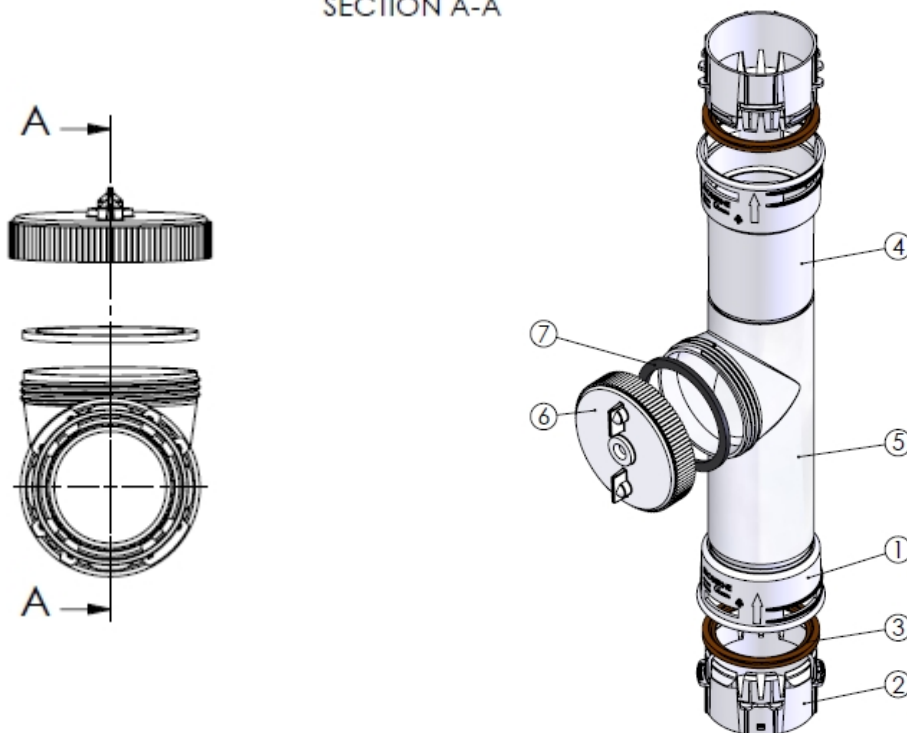


SECTION A-A



7	1	Seal ø70	EPDM
6	1	Cap inspection piece	PPs
5	1	Inspection piece ø60	PPs
4	1	Connection shaft cover ø60	PPs
3	2	Seal flexible pipe ø60	FKM
2	2	Mounting ring ø60 v4	PP 20%Glass fiber
1	1	Connection cover ø60	PPs
Pos.	QTY.	Description	Material

Hekon art. : CD060-FLIL