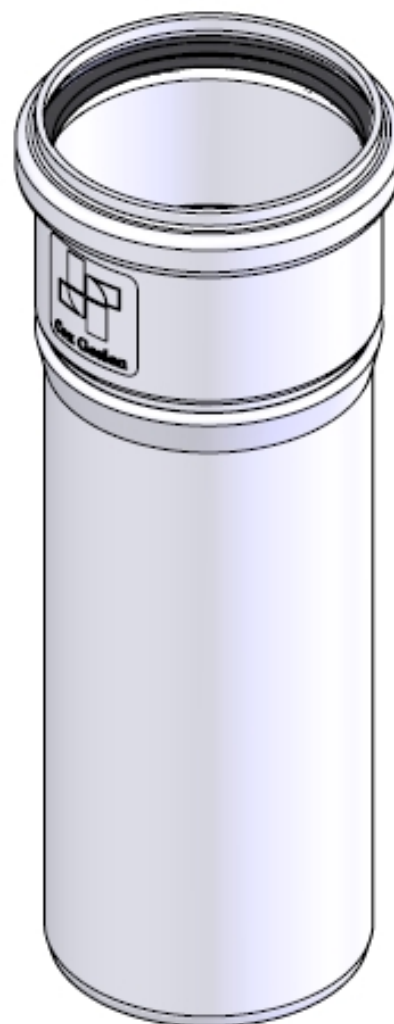


SECTION A-A

Lnom.	L1
250	245
500	495
1000	995
1950	1945
3000	2995

Unit of measure: mm



Hekon art. : CD080-0500