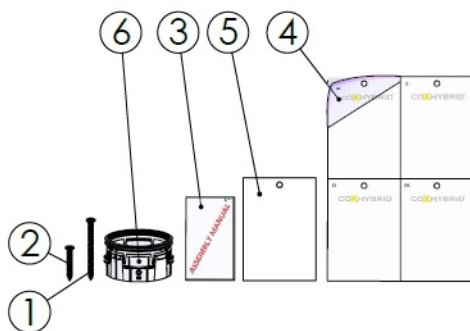
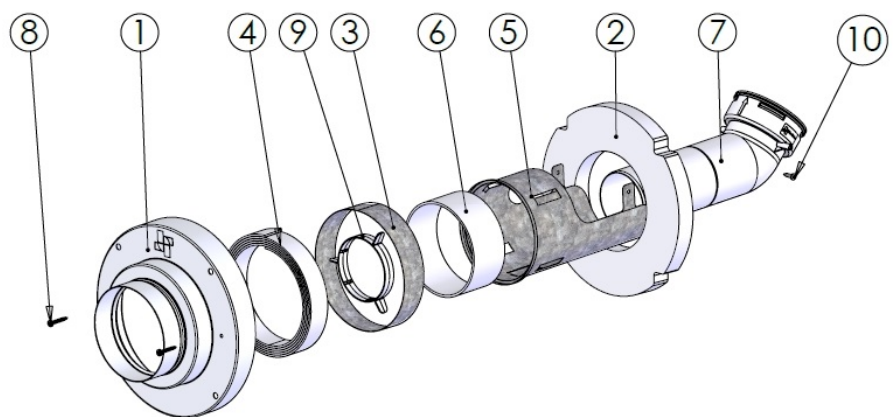


Additional box content



6	1	Mounting ring set flex ø80	710307
5	1	Rating plate, wall plate	710660
4	1	Rating plate, wall plate sticker	892330
3	1	Assembly manual	892333
2	1	Screw 7.2x52 AW30	892289
1	4	Screw ø7.2x92 AW30	892281
Pos.	QTY.	Description	Part nr

SECTION A-A



Partnumber: BRMGAA600
Configuration: 080 Tube 4 125 Flex 45° pre assembly
Mass[g]: 2314.99

10	2	Screw 4.2 x 16 AW 20	Galvanized
9	1	Distance ring ø80/125	PP
8	2	Sheet metal screw ø4,2x25 T20	Galvanized
7	1	Flex elbow ø80 for chimney PP (L243)	CoxPP-BBA
6	1	Fire resistant wallplate pipe insert ø125	CoxPP
5	1	Fire resistant wall plate position pipe flex ø125	DX51D
4	1	Fire collar ø125-5	Expansion seal
3	1	Fire resistant wallplate insert ø125	DX51D
2	1	Fire resistant board wall plate 125	Fire resistant board
1	1	Steel cover tube fire resistant wallplate ø125	DC04
Pos.	QTY.	Description	Material

Unit of measure: mm

Hekon art. : CD080-FBCSB4