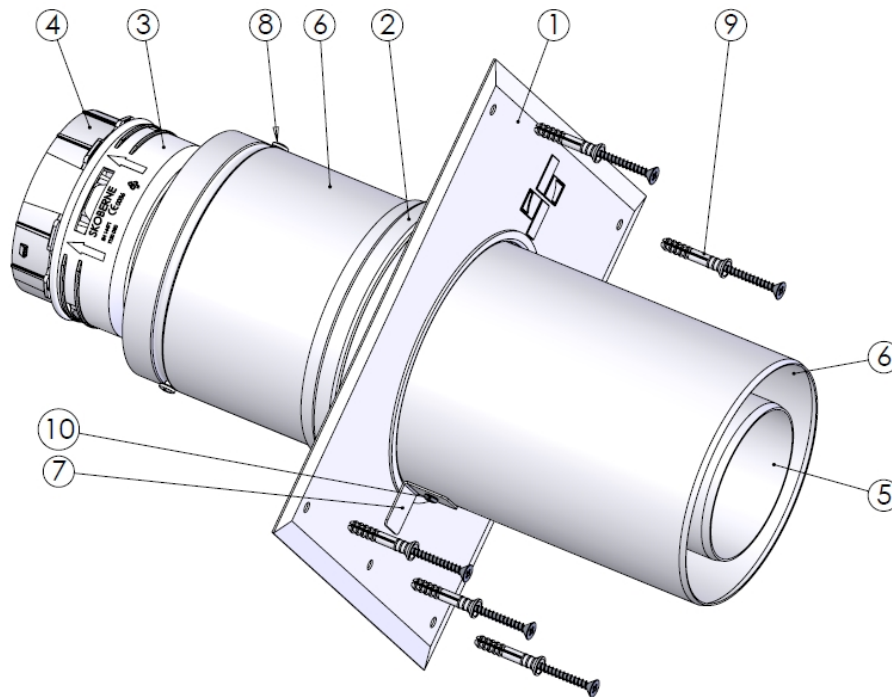
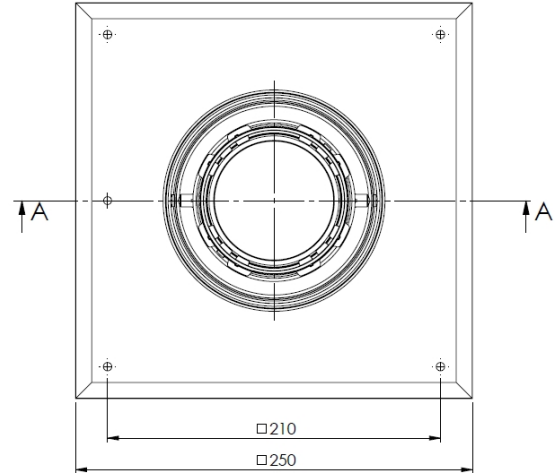


SECTION A-A



| | | | |
|------|------|------------------------------|--------------|
| 11 | 1 | Assembly manual | Paper |
| 10 | 1 | Self-tapping screw 3.5 x 9.5 | Stainless A2 |
| 9 | 5 | Hammerfix plug ø5 | - |
| 8 | 2 | Screw 4.2 x 13 | Stainless A2 |
| 7 | 1 | Mounting bracket | DX52D |
| 6 | 1 | Air-inlet Pipe ø125 | EN-AW-1050A |
| 5 | 1 | Flue pipe ø80 L250 | - |
| 4 | 1 | Flex mounting ring ø80 (set) | - |
| 3 | 1 | Connection Shaft Pipe ø80 | - |
| 2 | 1 | Stuts ø125 | - |
| 1 | 1 | Cover plate ø125 | DX52D |
| Pos. | QTY. | Description | Material |

Hekon art. : CD080-FSVS