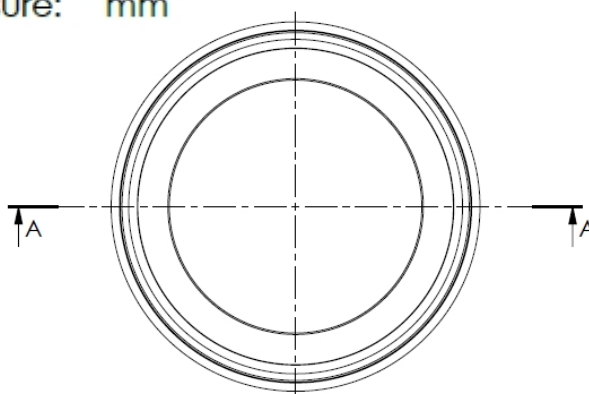


SECTION A-A

Unit of measure: mm



| | | | |
|------|------|--|----------|
| 2 | 1 | Seal $\varnothing 100$ | EPDM |
| 1 | 1 | Expansion $\varnothing 80-100$ Centric | CoxPP |
| Pos. | QTY. | Description | Material |

Hekon art. : CD080K100G