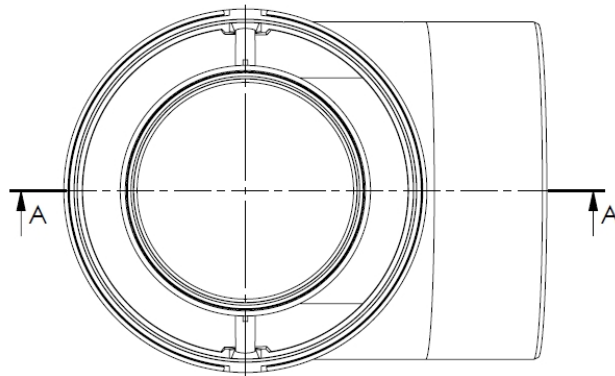


SECTION A-A

Unit of measure: mm



3	1	Seal $\varnothing 150$	VMQ
2	1	Bend $\varnothing 150$ 87°	EN-AC-46000
1.2	1	Seal $\varnothing 100$	EPDM
1.1	1	Bend $\varnothing 100$ 87° with cams	CoxPP
1	1	Bend $\varnothing 100$ 87° with cams	-
Pos.	QTY.	Description	Material

Hekon art. : CD100/150-90