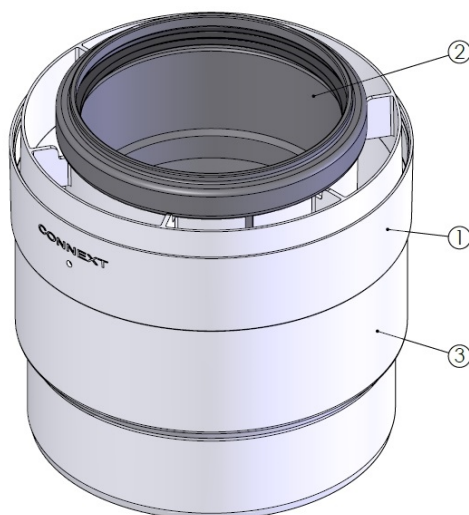


SECTION A-A



3	1	Expansion ø150-160	EN-AW-1050A
2	1	Expansion ø100-110 L160	-
1	1	Coupling unit ø110-160	ABS
Pos.	QTY.	Description	Material

Unit of measure: mm

Hekon art. : CD100/150-VG