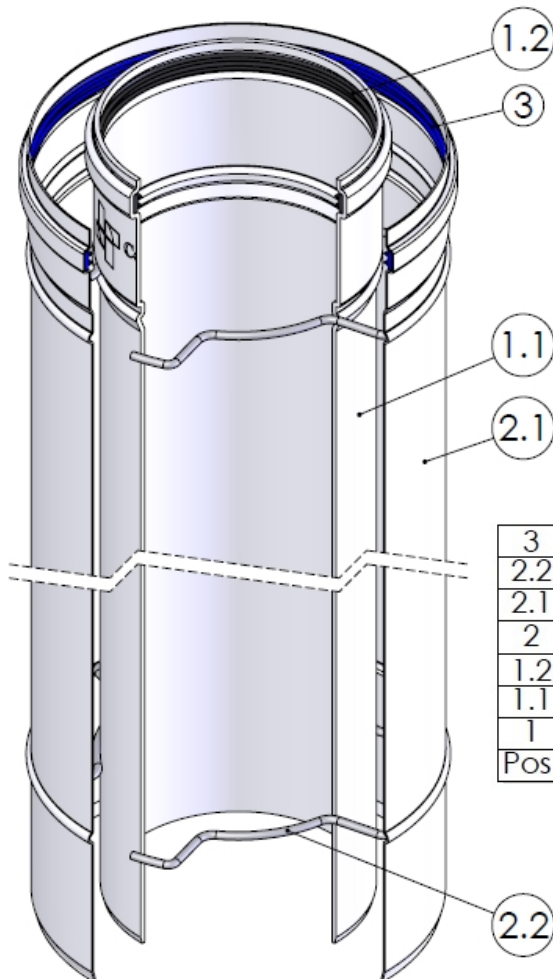


SECTION A-A

Unit of measure: mm



Pos.	QTY.	Description	Material
3	1	Seal ø150	VMQ
2.2	2	Spring	RVS 301
2.1	1	Pipe ø150 L990	EN-AW-1050A
2	1	Pipe ø150 L990	-
1.2	1	Seal ø100	EPDM
1.1	1	Pipe ø100 L995	CoxPP
1	1	Pipe ø100 L1000	-

Hekon art. : CD100/150100