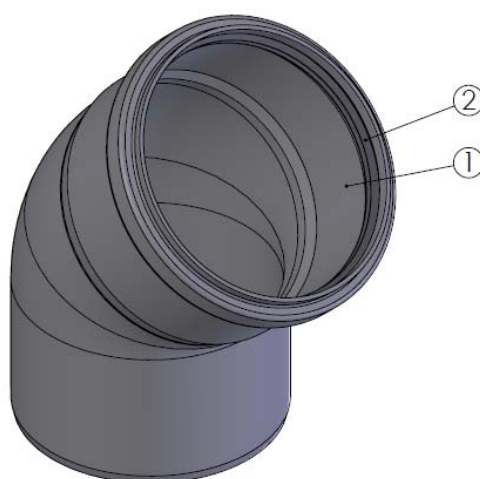
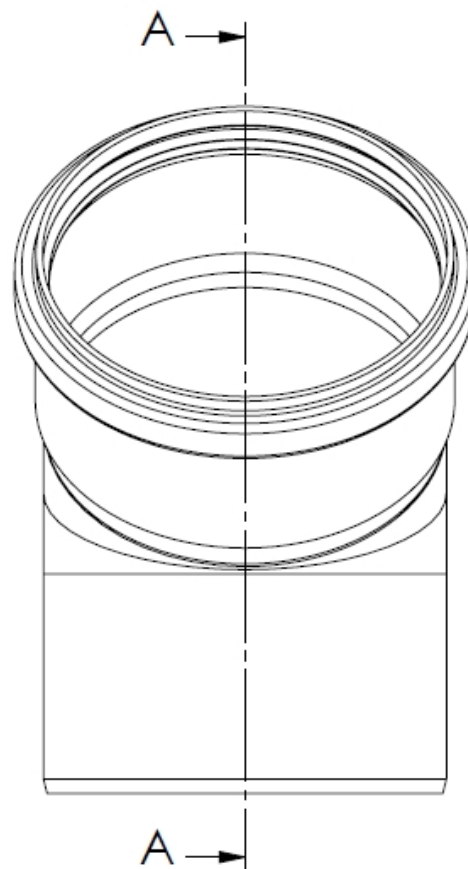


SECTION A-A



2	1	Seal ø110	EPDM Flue gas
1	1	Bend ø110 - 45°	PPs
Pos.	QTY.	Description	Material

Hekon art. : CD110-0045