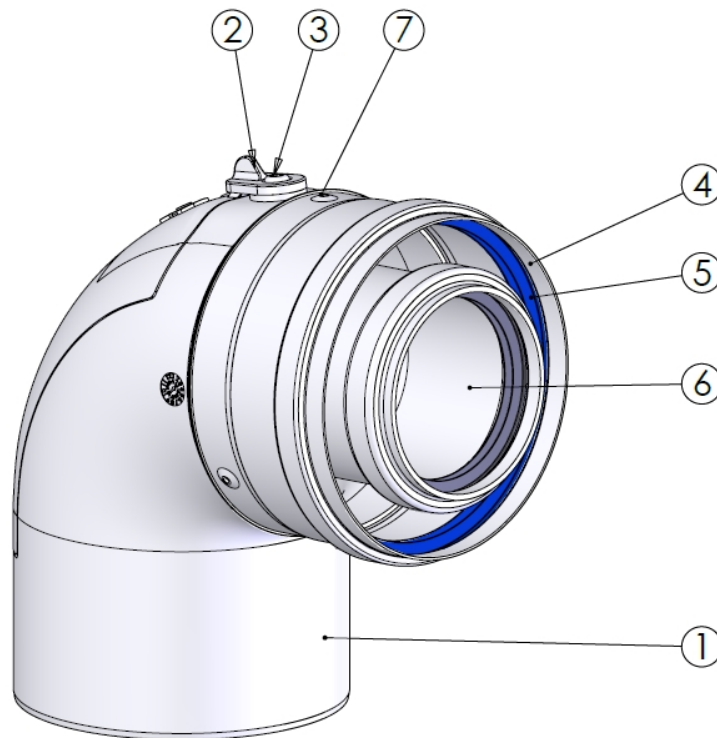
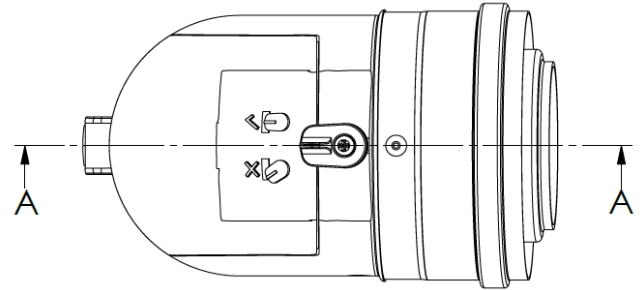


SECTION A-A



7	3	Rivet $\varnothing 3.2 \times 7.9$ (White)	Al
6	1	Flue inspection bend $\varnothing 60$	-
5	1	Seal VMQ Air	VMQ Air
4	1	Air pipe $\varnothing 100$	EN-AW-1050A
3	1	Screw $\varnothing 5.5$	Galvanized
2	1	Slide clip	PA6
1	1	Air inspection bend $\varnothing 100$	-
Pos.	QTY.	Description	Material

Hekon art. : CD60/100-B9L