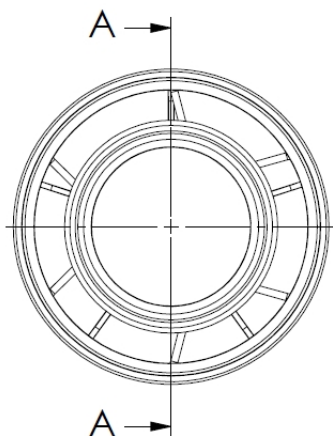
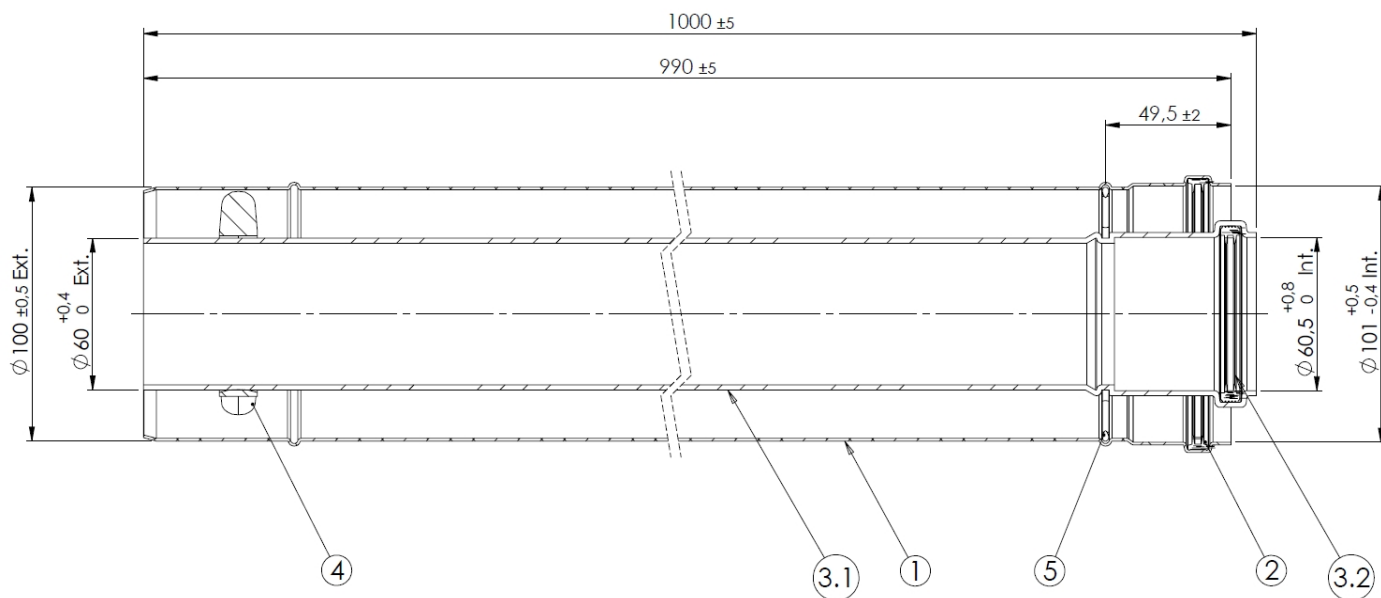


SECTION A-A



5	1	Spring	1,4310
4	1	Distance ring ø60-100	PP 20%Glass fiber
3.2	1	Seal	EPDM
3.1	1	Flue Pipe	PPs
3	1	Pipe ø60 L=1000	N/A
2	1	Seal ø100	Silicone
1	1	Air pipe	EN-AW-1050A
Pos.	Qty.	Description	Material

Hekon art. : CD60/1001000