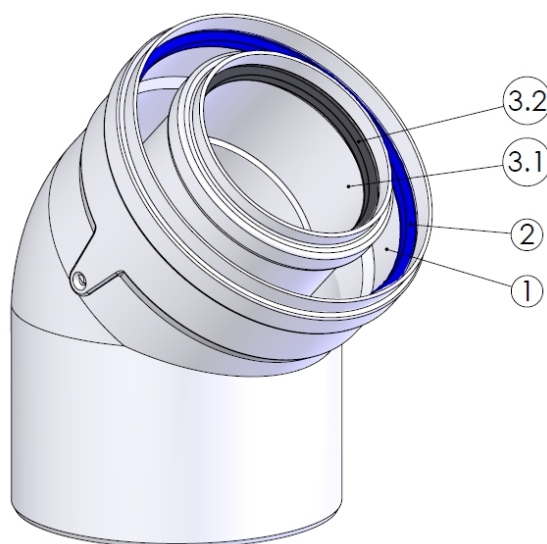


SECTION A-A



3.2	1	Seal ø80	EPDM
3.1	1	Bend ø80 45°	PPs
3	1	Bend ø80 45°	-
2	1	Seal ø125	VMQ Air
1	1	Bend ø125 45°	EN-AC-46000
Pos.	QTY.	Description	Material

Hekon art. : CD80/125-045