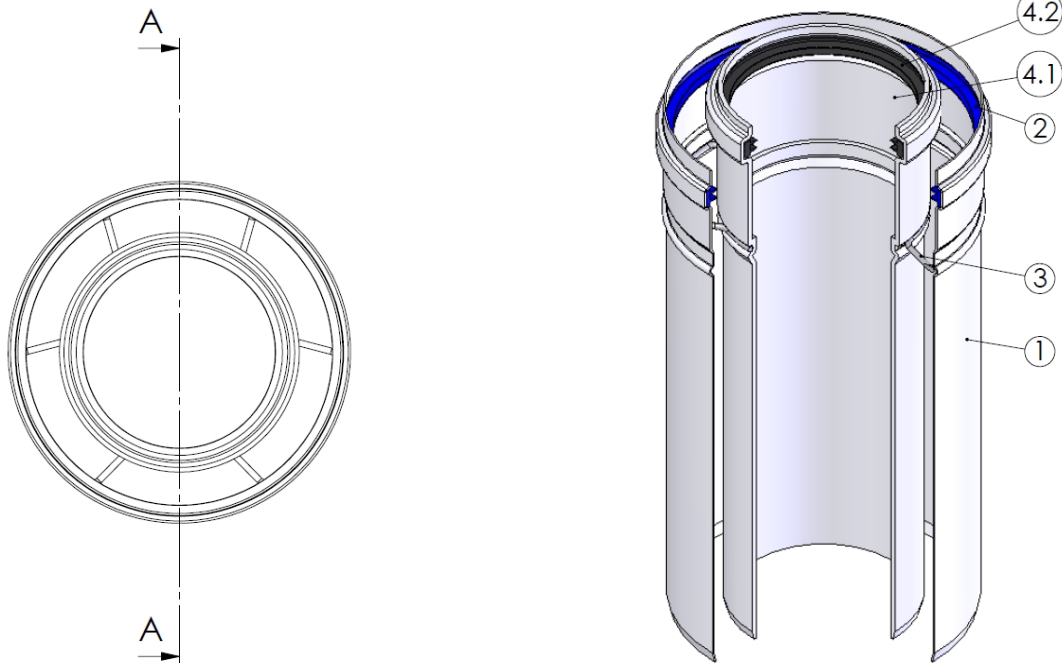


SECTION A-A



4.2	1	Seal ø80	EPDM
4.1	1	Flue Pipe ø80	PPs
4	1	Flue Pipe ø80 L=250	-
3	1	Spring ø80-125	1,4310
2	1	Seal ø125	Silicone
1	1	Air pipe ø125	EN-AW-1050A
Pos.	QTY.	Description	Material

Hekon art. : CD80/125-250