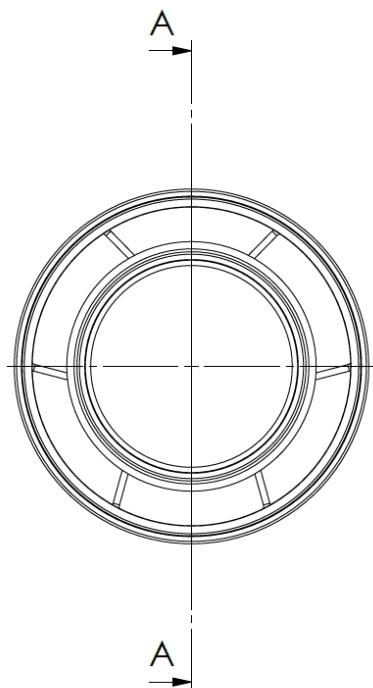
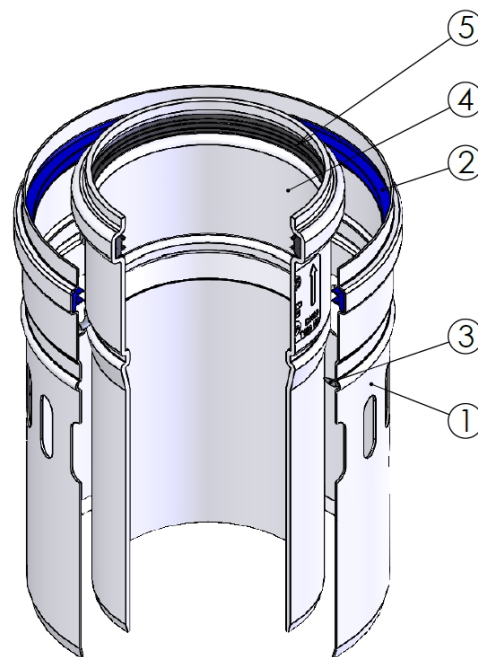


SECTION A-A



5	1	Seal EPDM Flue gas ø80 M	EPDM Flue gas
4	1	Flue Pipe ø80 Extrusion	CoxPP-BBA
3	1	Spring ø80-125	AISI 301
2	1	Seal VMQ Air ø125	VMQ Air
1	1	Air pipe ø125 L165	EN-AW-1050A
Pos.	QTY.	Description	Material

Unit of measure: mm

Hekon art. : CD80/125-LAZ