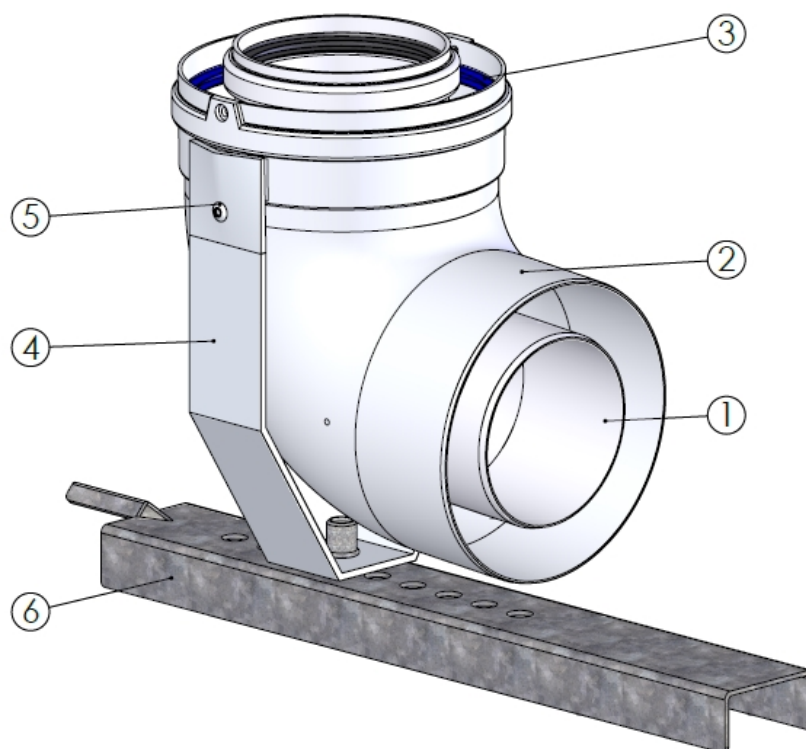


SECTION A-A



6	1	Shaft bend support	DX52D
5	2	Rivet $\varnothing 4.0 \times 12.5$	Al
4	1	Shaft support	-
3	1	Seal VMQ Air $\varnothing 125$	VMQ Air
2	1	Bend $\varnothing 125$ 87° Al seal	EN-AC-46000
1	1	Flue Bend $\varnothing 80$ 87° Standard click cams	CoxPP - EPDM
Pos.	QTY.	Description	Material

Hekon art. : CD80/125-STBP