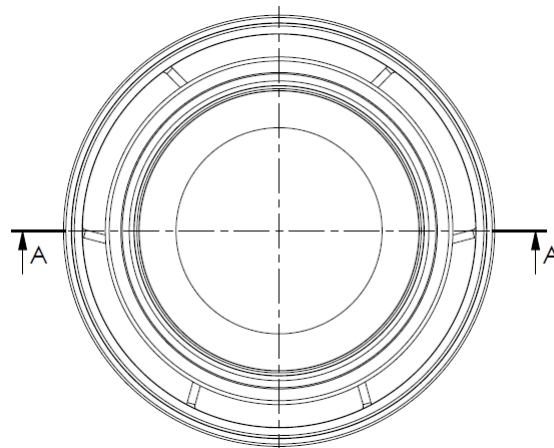
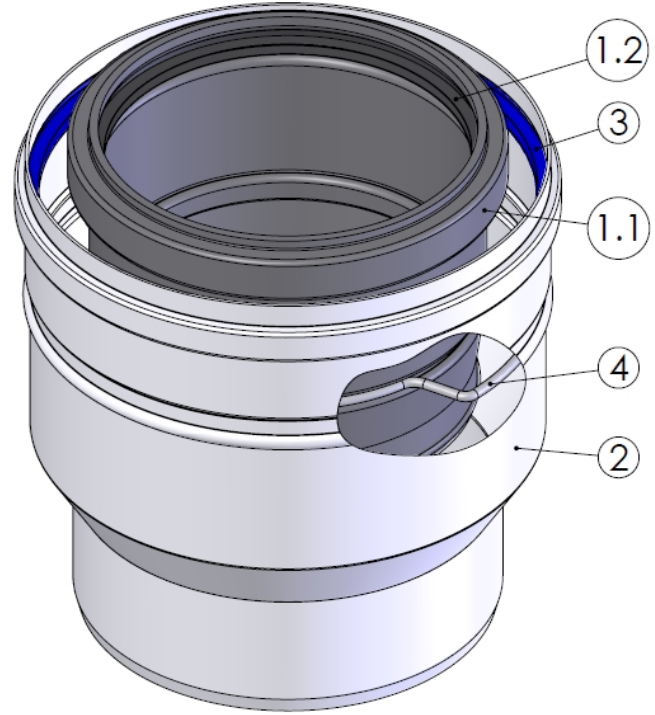


SECTION A-A



4	1	Spring $\varnothing 110-150$	RVS 301
3	1	Seal $\varnothing 150$	VMQ Air
2	1	Reduction $\varnothing 125-150$	EN-AW-6060
1.2	1	Seal $\varnothing 110$	EPDM
1.1	1	Expansion $\varnothing 80-110$ L165	PPs
1	1	Expansion $\varnothing 80-110$ L165	-
Pos.	QTY.	Description	Material

Hekon art. : CD80/125-VG1