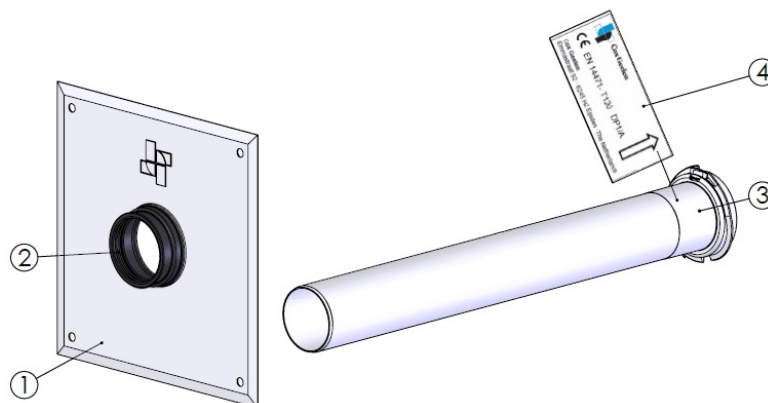


Additional box content

Pos.	QTY.	Description	Part nr
7	1	Hose clamp	892324
6	1	Rating plate, wall plate	710660
5	1	Rating plate, wall plate sticker	892330
4	1	Lubricant	890299
3	1	Assembly manual	892320
2	1	Self-tapping torx screw 3.9 x 13	890043
1	1	Screw 7.2x52 AW30	892289



4	1	CE sticker	-
3	1	Flue pipe $\varnothing 60$ PP-CFS	-
2	1	Collar seal pipe fixation $\varnothing 60$	VMQ Flue gas black
1	1	Wall plate 60 - B2	DX52D
Pos.	QTY.	Description	Material

Hekon art. : CH-E005