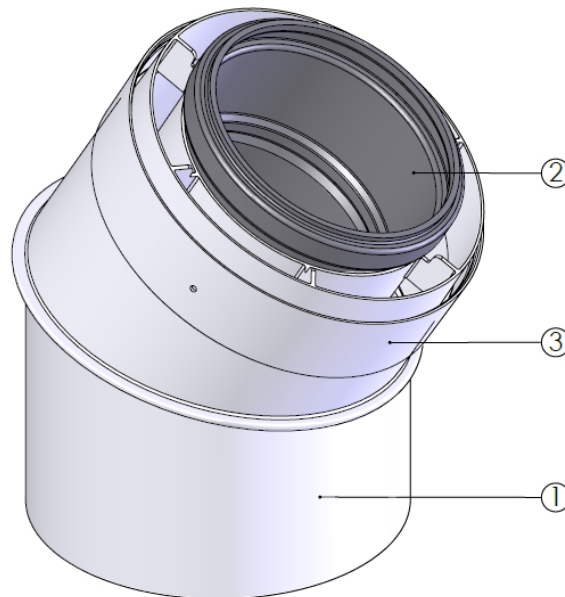
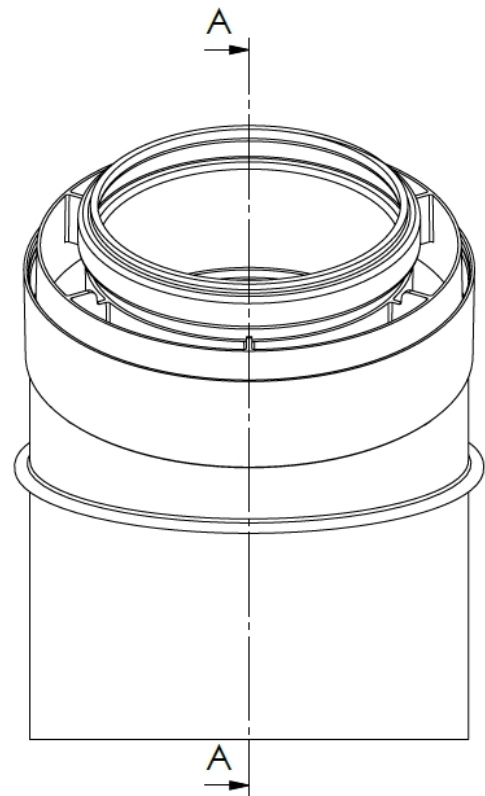


SECTION A-A



3	1	Coupling unit $\varnothing 110-160$	ABS
2	1	Bend $\varnothing 110$ 30° PPs	PPs
1	1	Air-Bend $\varnothing 160$ 30° Connex	EN-AW-1050A
Pos.	QTY.	Description	Material

Hekon art. : CN110/160-30