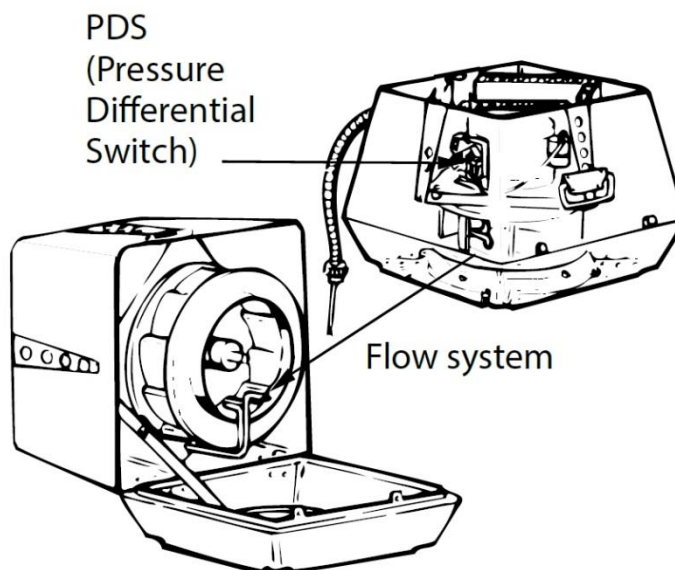


- | | |
|------------------------------|-------------------|
| 1. Connecting cable | 5. Bottom section |
| 2. Top section | 6. Locking screws |
| 3. Motor | 7. Handle |
| 4. Vane/centrifugal impeller | 8. Hinges |

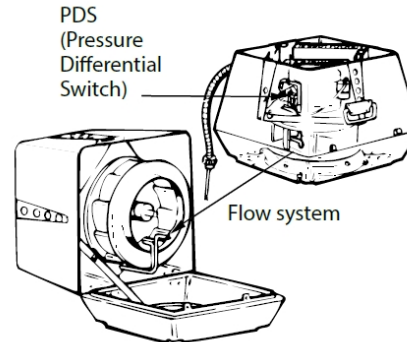
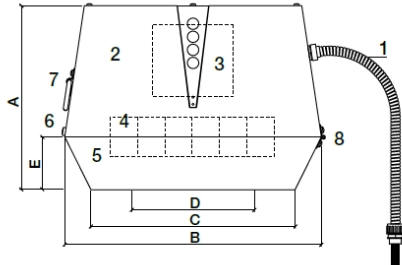


A	B x B	C x C	D	E
380	580	465	315	115

Unit of measure: mm

Hekon art. : EXH-RSVG315

Technical data

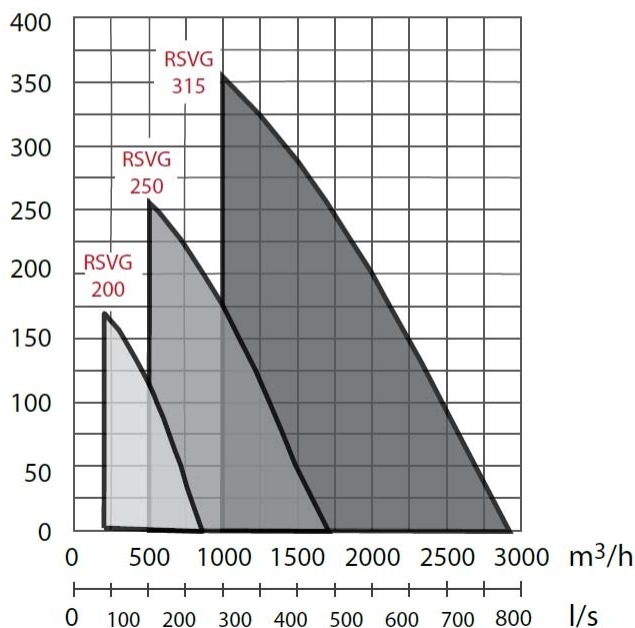


Model	Motor data				Weight [kg]	Dimension [mm]				
	RPM	[V]	[Amp]	[kW]*		A	B x B	C x C	D Ø	E
RSVG200-4-1	1400	1 x 230	0,4	0,07	18	280	390	310	200	80
RSVG250-4-1	1400	1 x 230	0,8	0,16	27	335	485	385	250	100
RSVG315-4-1	1400	1 x 230	1,8	0,37	37	380	580	465	315	115

*Effect at the motor shaft at ambient temperature of 20 °C
The RPM of the above fan models are infinitely adjustable
Motor protection IP rating IP54
Insulation class F

Capacity diagrams

Please use the exodraft fan selection chart or complete an appraisal form.
exodraft offers a free fan selection service - the correct chimney fan and control unit are calculated according to EN 13384.



Type	Flue
RSVG200	ø 200 mm
RSVG250	ø 250 mm
RSVG315	ø 315 mm
at 1400 RPM	

Hekon art. : EXH-RSVG315

The capacity chart is measured at a flue gas temperature of 20 °C. The fan capacity changes with temperature.

Correction of system pressure loss for flue gas temperature higher than 20 °C is calculated:

$$Ps_{20} = Ps_t \times \left(\frac{273 + t(^{\circ}C)}{293} \right)^2$$

t = temperature measured in °C

Example

System need: 500 m³/h and 90 Pa at 180 °C

Selection of fan: 500 m³/h and 139 Pa at 20 °C

Sound data

Sound levels to external surroundings. Measured in accordance to ISO 3744

Model	Lw [dB]							Lp dB (A)
	125 Hz	250 Hz	500 Hz	1000 Hz	2000 Hz	4000 Hz	8000 Hz	
RSVG200-4-1	58	60	62	61	56	44	37	36
RSVG250-4-1	64	68	66	65	61	49	45	41
RSVG315-4-1	71	75	70	73	68	57	52	48

Sound levels to flue pipe. Measured in accordance to ISO 5136

Model	Lw [dB]							Lw dB (A)	Lp dB (A)
	125 Hz	250 Hz	500 Hz	1000 Hz	2000 Hz	4000 Hz	8000 Hz		
RSVG200-4	65	62	62	58	48	41	30	63	55
RSVG250-4	72	69	65	63	56	48	41	68	61
RSVG315-4	74	73	70	71	63	53	47	74	69

Tolerance +/-3 dB

Lw = Sound effect level dB. (reference: 1 pW)

Lp = Sound Pressure level dB (A) at a distance of 10 m from the fan at half-spheric sound distribution.

Lp = (5 metres) = Lp (10 metres) + 6dB

Lp = (20 metres) = Lp (10 metres) - 6dB

Hekon art. : EXH-RSVG315