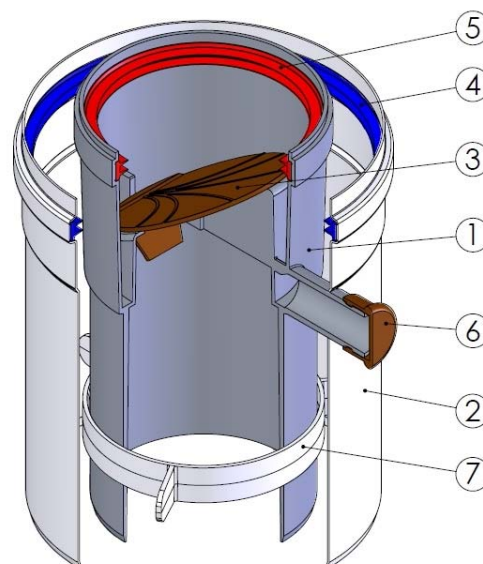
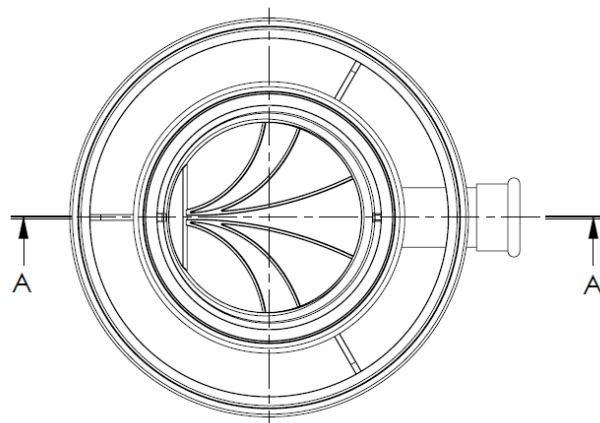


SECTION A-A



7	1	Distance ring $\phi 80-125$	PP
6	1	Cap, Flue gas, Brown	Viton
5	1	Seal $\phi 80$	VMQ
4	1	Seal $\phi 125$	VMQ
3	1	Valve $\phi 80$	Viton
2	1	Air pipe $\phi 125$ Al	EN-AW-1050A
1	1	Non-return valve $\phi 80$ Al	EN-AW-4047A
Pos.	QTY.	Description	Material

Hekon art. : GR80/125-KLEP