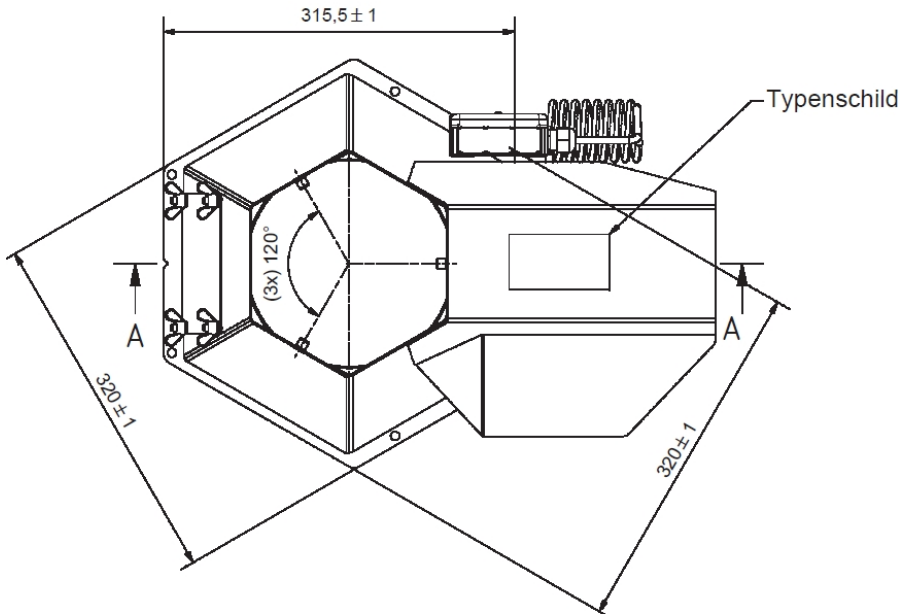
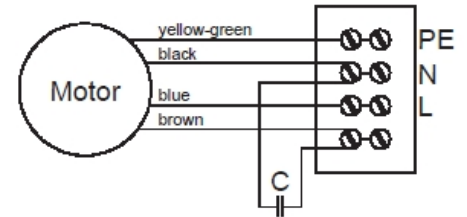


Unit of measure: mm

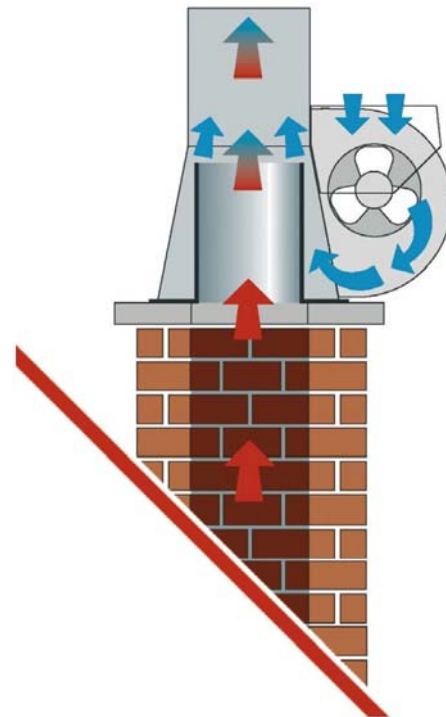
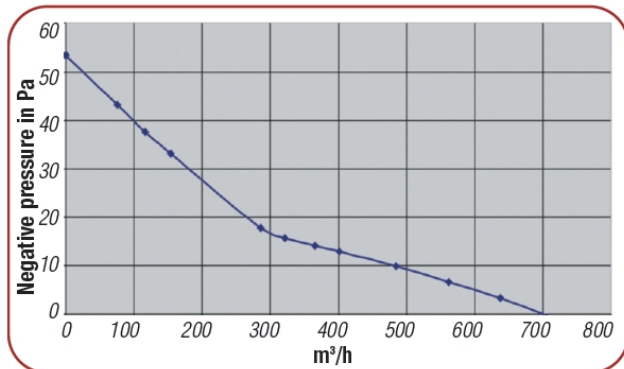
Hekon art. : KW-180ES



Anschlussplan



For a chimney diameter or outlet  
of 100 mm to 200 mm (100 x 100/200 x 200 mm).



|                             |                    |
|-----------------------------|--------------------|
| Max. output pressure        | approx. 50 Pa      |
| Output approx.              | approx. 750 m³/h   |
| Fan capacity                | 170 W              |
| Current drain               | 0.75 A             |
| Base dimensions (hexagonal) | approx. 30 x 30 cm |
| Overall height              | approx. 400 mm     |
| Weight                      | approx. 8 kg       |

Unit of measure: mm

Hekon art. : KW-180ES