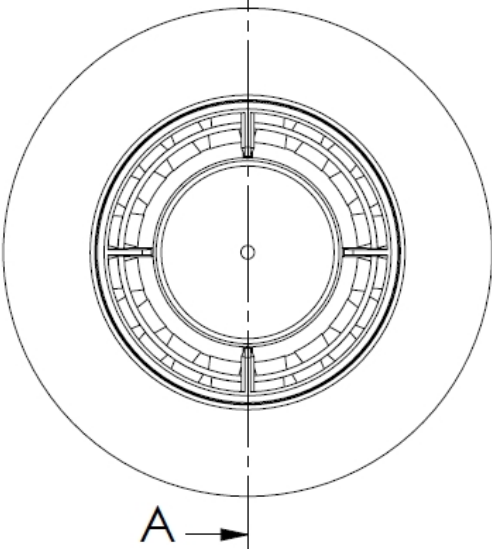


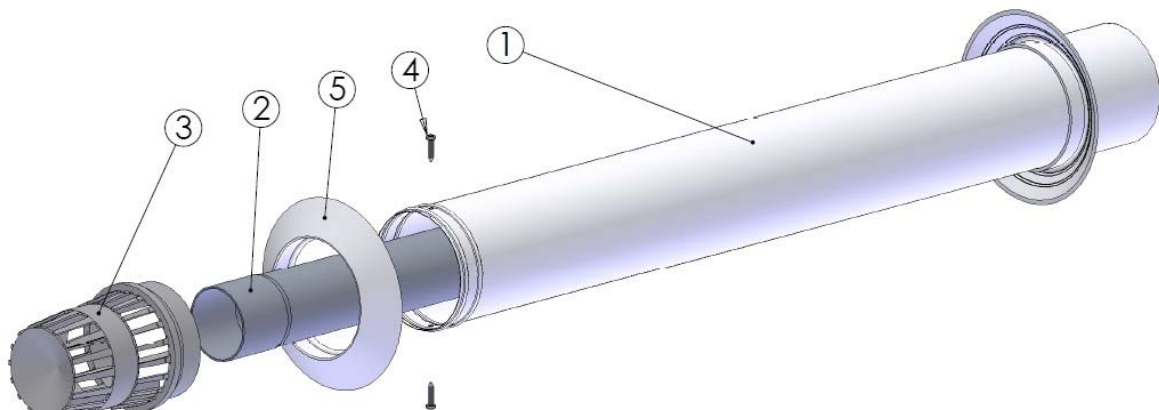
A →

SECTION A-A



#	L1	L2	L3
1	800	750	697
2	903	853	800
3	1500	1450	1397

5	2	Wall Seal ø100	TPE
4	2	Screw 4.2 x 19	ELVZ
3	1	End cap	PP 20%Glass fiber
2	1	Flue pipe ø60	EN-AW-6060
1	1	Air-inlet pipe ø100	DX52D+Z275-NA
Pos.	QTY.	Description	Material



Hekon art. : RO60/100-MDA