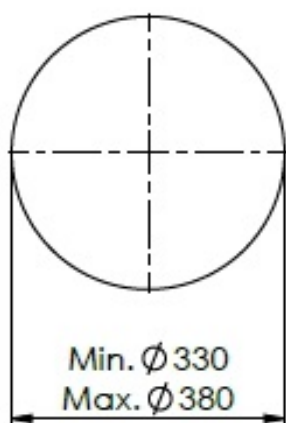
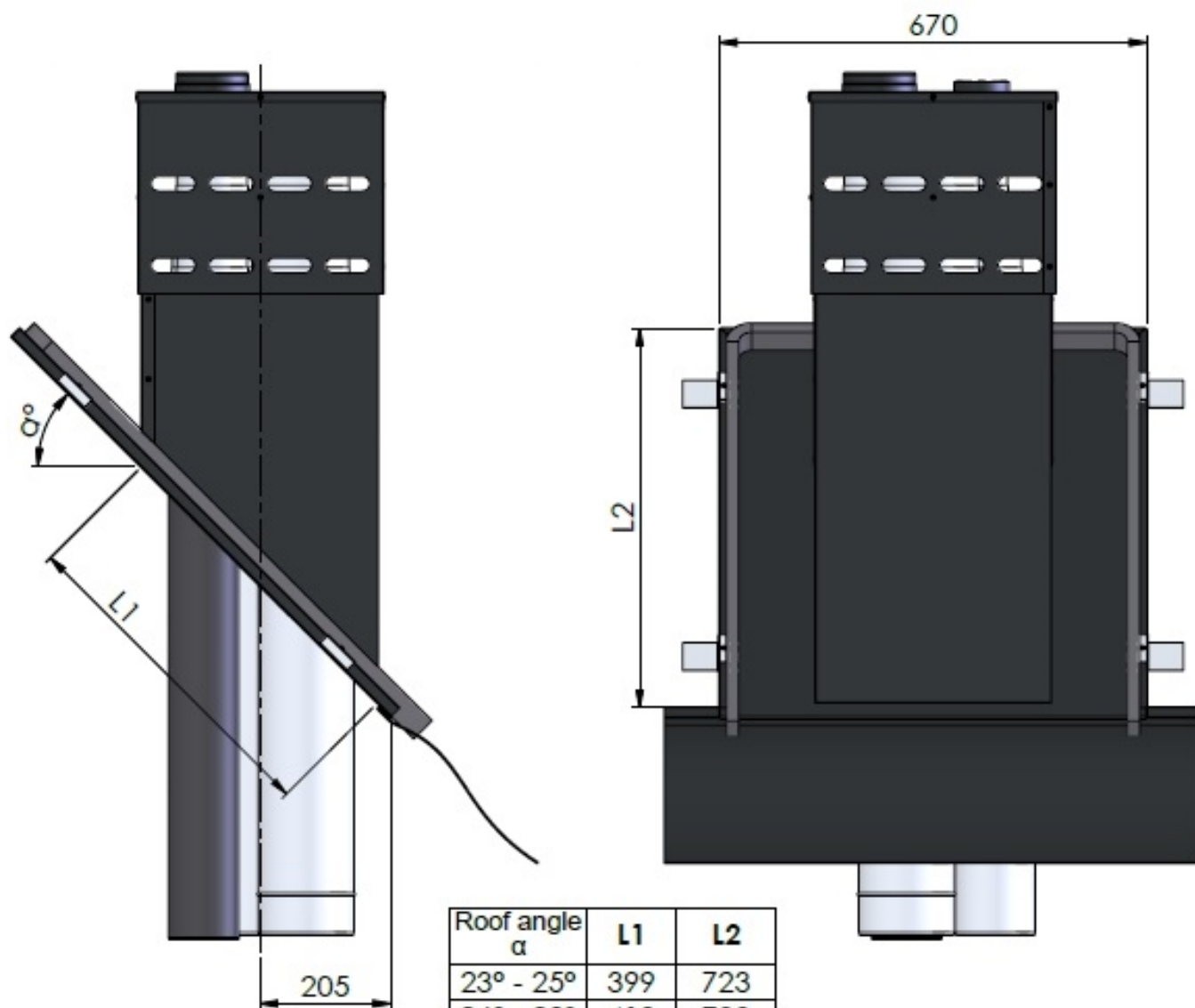
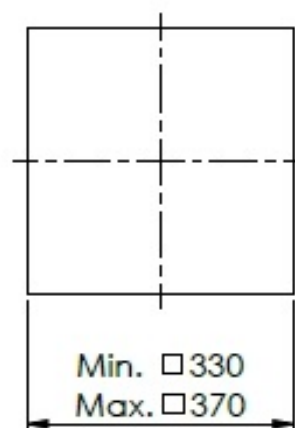


|      |      |                                |          |
|------|------|--------------------------------|----------|
| 3    | 1    | Extention set Qi L= 1500mm     | -        |
| 2    | 1    | EcoNext sQ chimney             | -        |
| 1    | 1    | EcoNext sQ pitched roofupstand | -        |
| Pos. | QTY. | Description                    | Material |

**Hekon art. : SQ265240**



| Roof angle<br>$\alpha$ | L1  | L2   |
|------------------------|-----|------|
| 23° - 25°              | 399 | 723  |
| 26° - 28°              | 410 | 733  |
| 29° - 31°              | 422 | 745  |
| 32° - 34°              | 436 | 759  |
| 35° - 37°              | 452 | 775  |
| 38° - 40°              | 471 | 794  |
| 41° - 43°              | 493 | 816  |
| 44° - 46°              | 519 | 841  |
| 47° - 49°              | 548 | 871  |
| 50° - 52°              | 583 | 906  |
| 53° - 55°              | 625 | 947  |
| 56° - 58°              | 675 | 997  |
| 59° - 61°              | 736 | 1057 |



Unit of measure: mm

Hekon art. : SQ265240