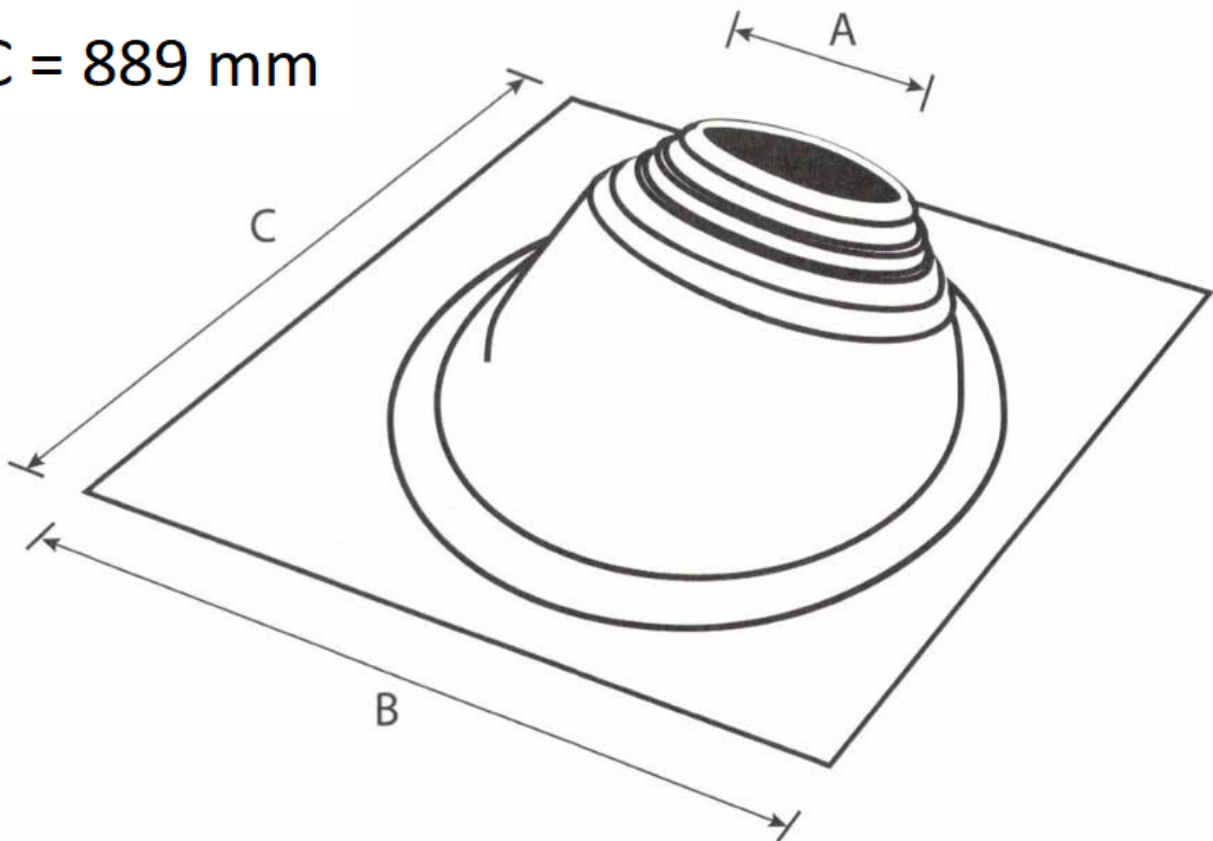


A = 222 mm

B = 889 mm

C = 889 mm



	A-Top opening	8-3/4" (222mm)
	B-Pull to suit pipe size	11" - 18" (279 - 457mm)
	C-Base	35" X 35" (889 X 889mm)

Unit of measure: mm

Hekon art. : SQ301RESBL