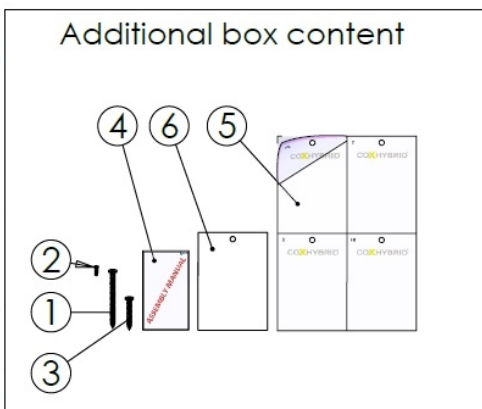
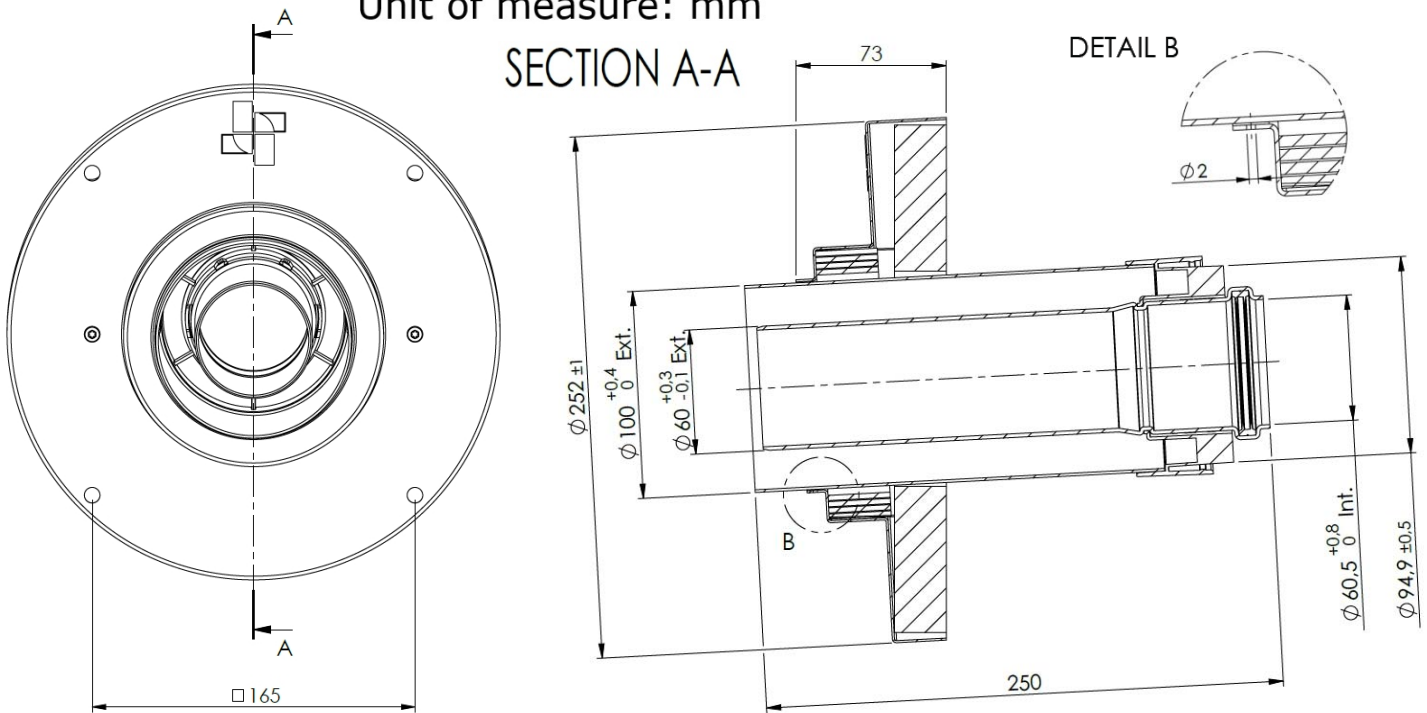
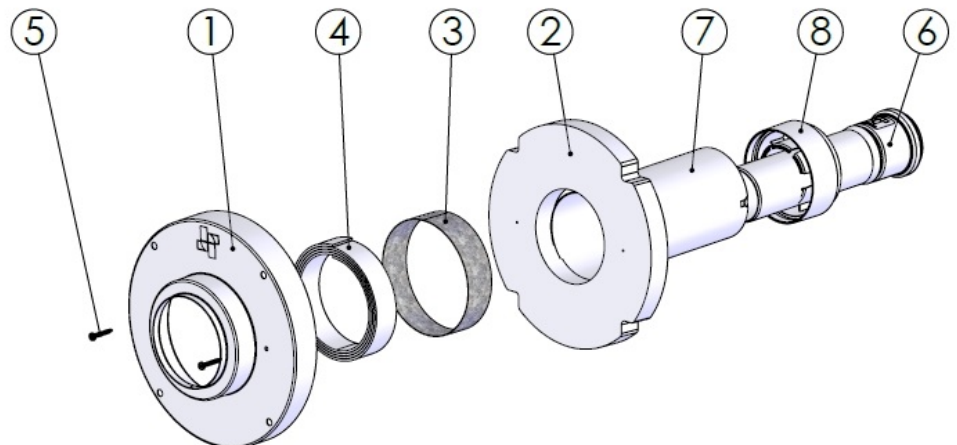


Unit of measure: mm



|      |      |                                  |         |
|------|------|----------------------------------|---------|
| 6    | 1    | Rating plate, wall plate         | 710660  |
| 5    | 1    | Rating plate, wall plate sticker | 892330  |
| 4    | 1    | Assembly manual                  | 892334  |
| 3    | 1    | Screw 7.2x52 AW30                | 892289  |
| 2    | 1    | Self-tapping torx screw 3.9 x 13 | 890043  |
| 1    | 4    | Screw ø7.2x92 AW30               | 892281  |
| Pos. | QTY. | Description                      | Part nr |



**Partnumber: AJMFAA600**  
**Configuration: 060 Collar 4 100 X7 PP pre assembly**  
**Mass[g]: 2007.38**

|      |      |   |                      |
|------|------|---|----------------------|
| 8    | 1    | Coupling unit ø60-100                     | PC/ABS               |
| 7    | 1    | Air pipe ø100 ConneXt                     | PVC                  |
| 6    | 1    | Flue Pipe ø60 Extrusion                   | CoxPP - EPDM         |
| 5    | 2    | Sheet metal screw ø4,2x25 T20             | Galvanized           |
| 4    | 1    | Fire collar ø100-4                        | Expansion seal       |
| 3    | 1    | Fire resistant wallplate insert ø100      | DX51D                |
| 2    | 1    | Fire resistant board wall plate 100       | Fire resistant board |
| 1    | 1    | Steel collar fire resistant wallplate 100 | DC04                 |
| Pos. | QTY. | Description                               | Material             |

Hekon art. : X3060/100BRAN