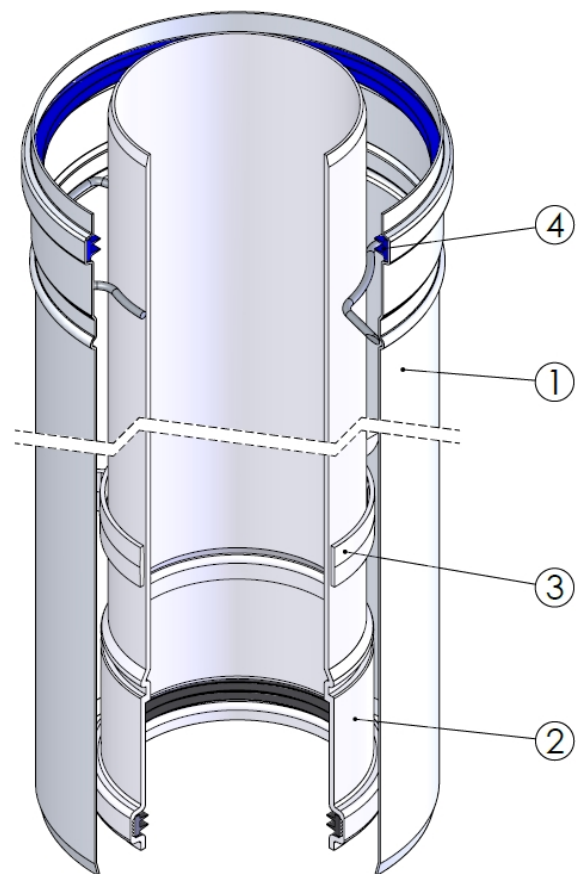
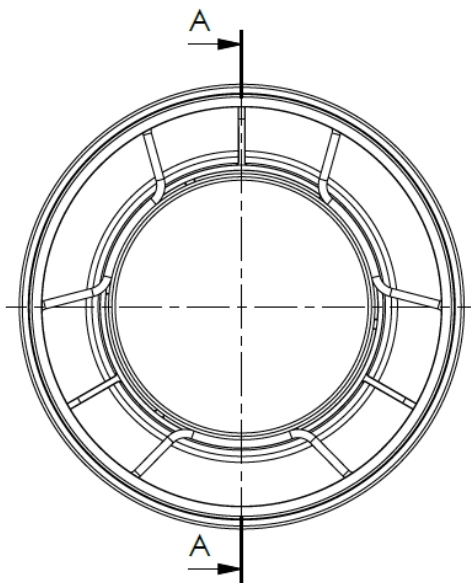


SECTION A-A

| L1 | L2 |
|------|-----|
| 500 | 490 |
| 1000 | 990 |



| | | | |
|------|------|-----------------------|----------|
| 4 | 1 | Seal VMQ Air ø125 | VMQ Air |
| 3 | 1 | Distance ring ø80/125 | PP |
| 2 | 1 | Flue pipe ø80 L500 | - |
| 1 | 1 | Air pipe ø125 | - |
| Pos. | QTY. | Description | Material |

Hekon art. : CDB80/125100