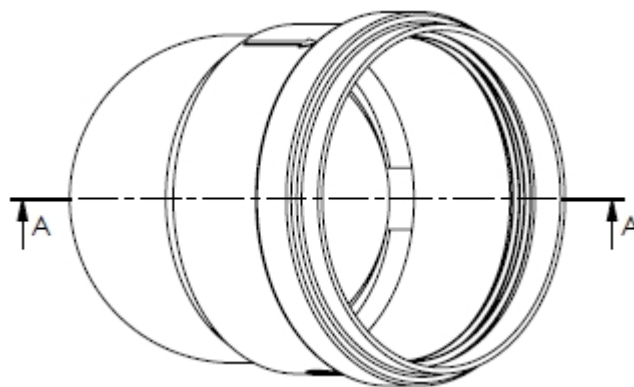


SECTION A-A



Type	A	B	C
80	79,5	82	86,5
100	99,5	102	106,5

Pos.	QTY.	Description	Material
2	1	Seal VMQ	VMQ
1	1	Bend 45°	EN-AW-4047A

Hekon art. : DWA080-0045