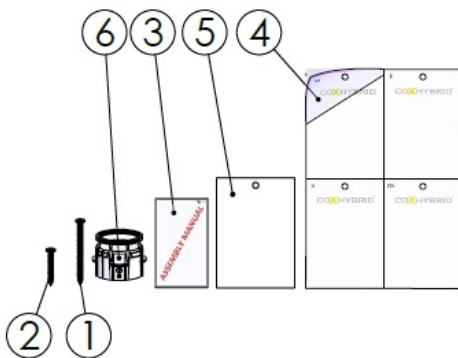
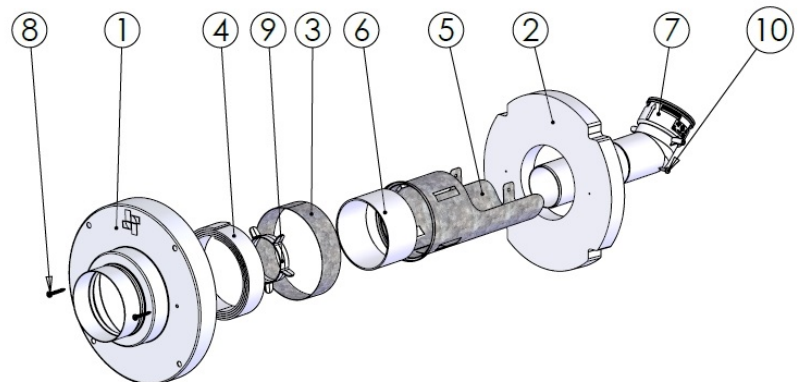


SECTION A-A

Additional box content



6	1	Mounting ring set flex ø60	710305
5	1	Rating plate, wall plate	710660
4	1	Rating plate, wall plate sticker	892330
3	1	Assembly manual	892333
2	1	Screw 7.2x52 AW30	892289
1	4	Screw ø7.2x92 AW30	892281
Pos.	QTY.	Description	Part nr



Partnumber: ARMGAA600
Configuration: 060 Tube 4 100 Flex 45° pre assembly
Mass[g]: 2011.90

10	2	Screw 4.2 x 16 AW 20	Galvanized
9	1	Distance ring ø60-100	PP
8	2	Sheet metal screw ø4,2x25 T20	Galvanized
7	1	Flex elbow ø60 for chimney PP	-
6	1	Pipe insert ø100	CoxPP-BBA
5	1	Fire resistant wall plate position pipe flex ø100	DX51D
4	1	Fire collar ø100-4	Expansion seal
3	1	Fire resistant wallplate insert ø100	DX51D
2	1	Fire resistant board wall plate 100	Fire resistant board
1	1	Steel cover tube fire resistant wallplate ø100	DC04
Pos.	QTY.	Description	Material

Unit of measure: mm

Hekon art. : CD060-FBCSB4