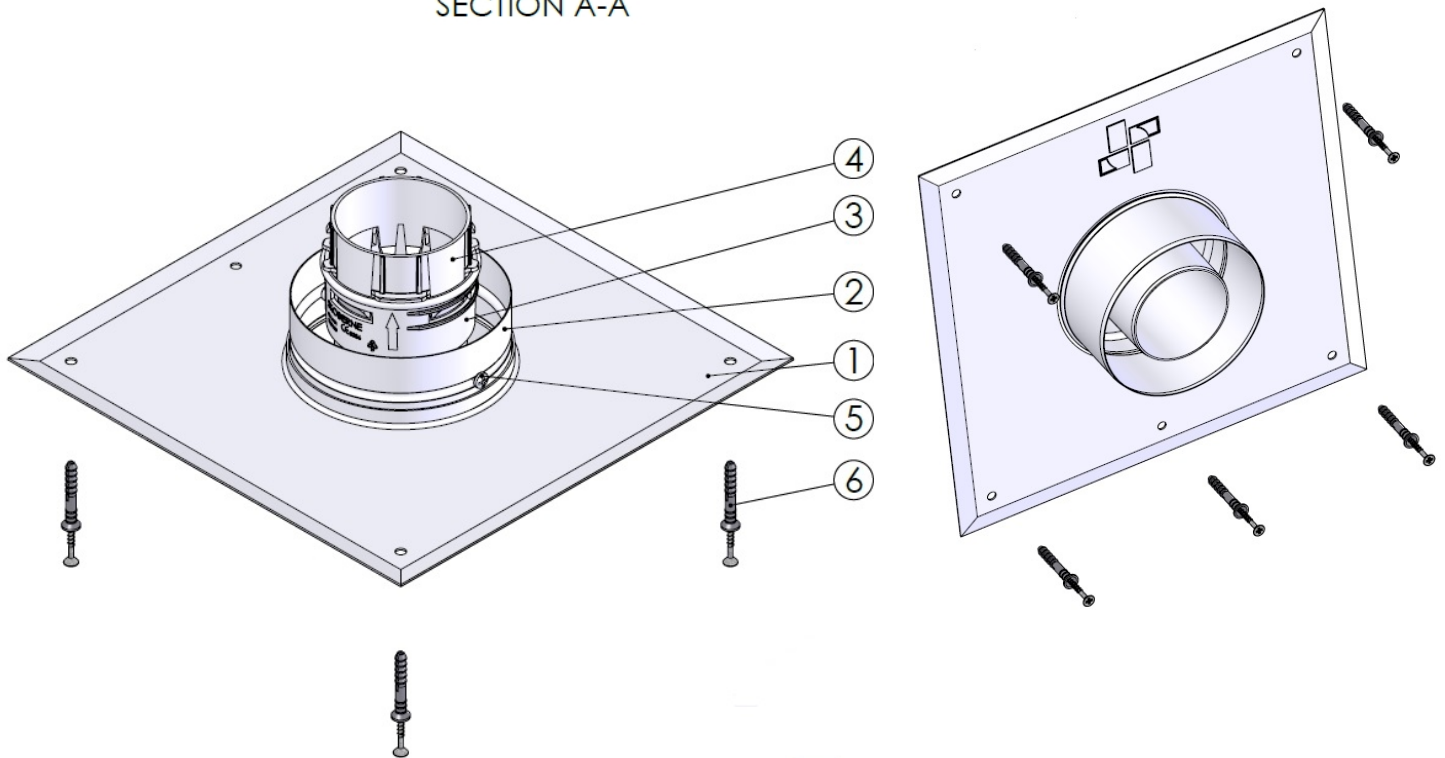


SECTION A-A



6	1	Hammerfix plug $\varnothing 5$ (set of 5 pieces)	-
5	2	Screw 4.2 x 13	Stainless A2
4	1	Flex mounting ring $\varnothing 60$ (set)	-
3	1	Flex ceiling connection pipe 60	PPs
2	1	Air stuts 100	DX52D+Z275
1	1	Connection plate 60 - C9x	DX52D
Pos.	QTY.	Description	Material

Hekon art. : CD0660-FSCS