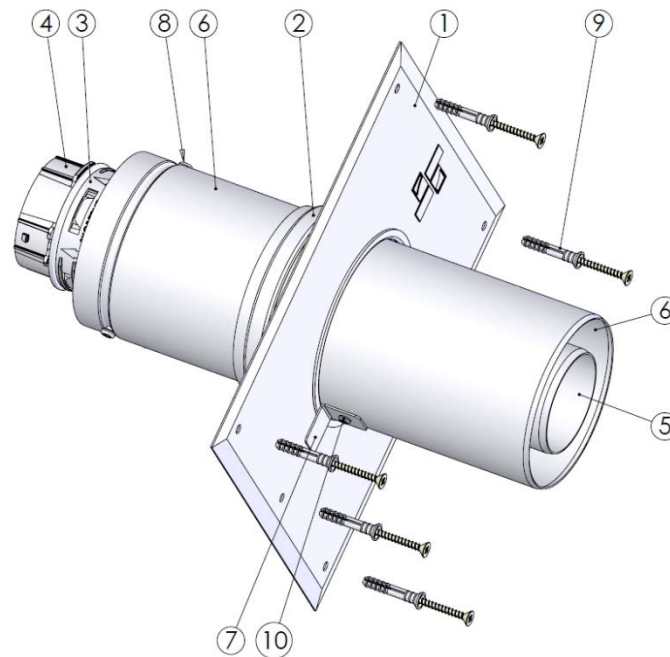


SECTION A-A



11	1	Assembly manual	Paper
10	1	Self-tapping screw 3.5 x 9.5	RVS
9	5	Hammerfix plug ø5	-
8	2	Screw 4.2 x 13	RVS
7	1	Mounting bracket	DX52D+Z275
6	1	Air-inlet Pipe ø100	EN-AW-1050A
5	1	Flue pipe ø60 L250 + Seal	-
4	1	Flex mounting ring DN60 - set	-
3	1	Flex ceiling connection pipe 60	PPs
2	1	Stuts ø100 Alu + Seal	-
1	1	Cover plate ø100	DX52D+Z275
Pos.	QTY.	Description	Material

Hekon art. : CD060-FSVS