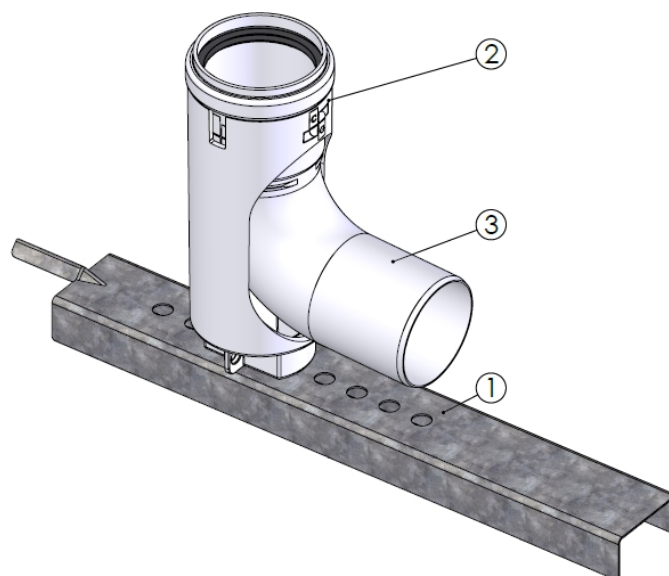
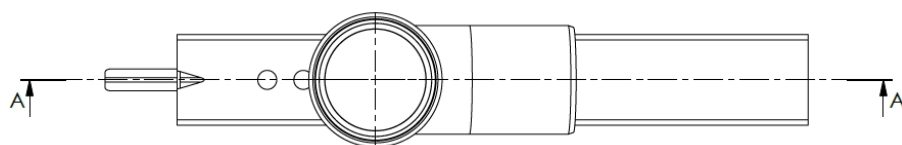


SECTION A-A



3	1	Flue Bend $\varnothing 60$ 87° Standard	-
2	1	Chimney support $\varnothing 60$	CoxPP-HBA
1	1	Shaft bend support	DX52D
Pos.	QTY.	Description	Material

Hekon art. : CD060-STBP