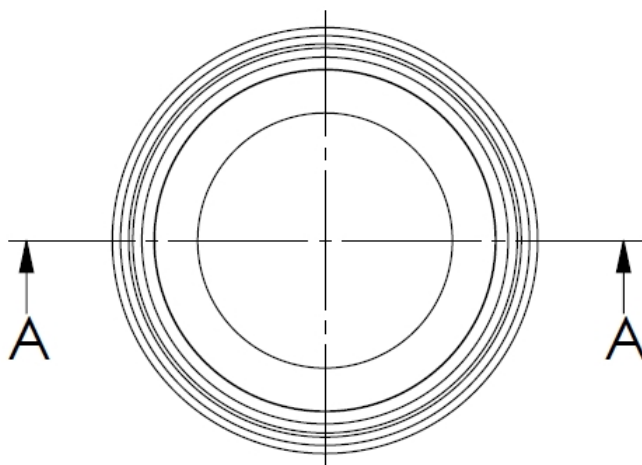
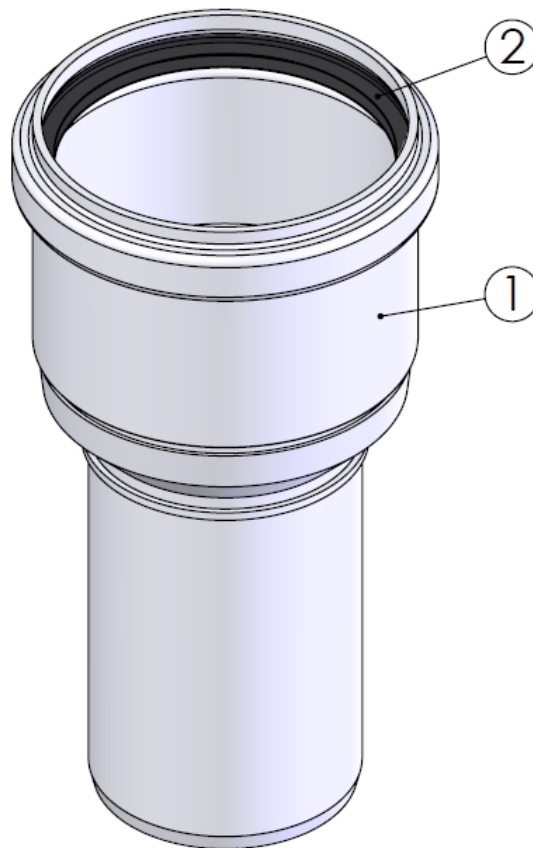


SECTION A-A



2	1	Seal $\varnothing 80$	EPDM
1	1	Expansion $\varnothing 60-80$ L175	PPs
Pos.	QTY.	Description	Material

Hekon art. : CD060K080G