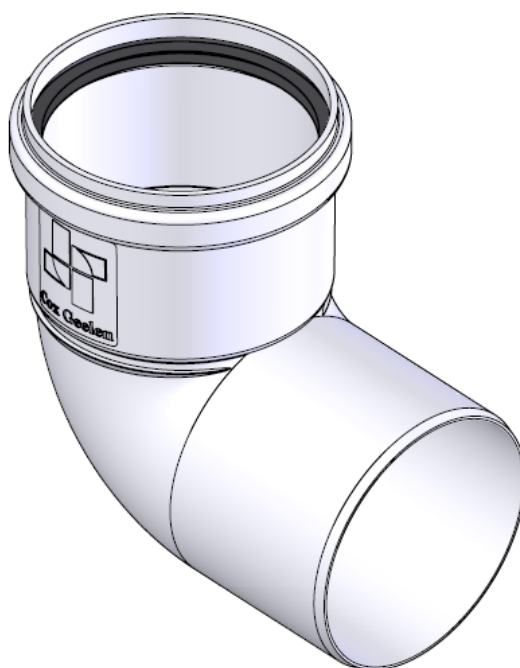


SECTION A-A

Unit of measure: mm



Hekon art. : CD080-0090