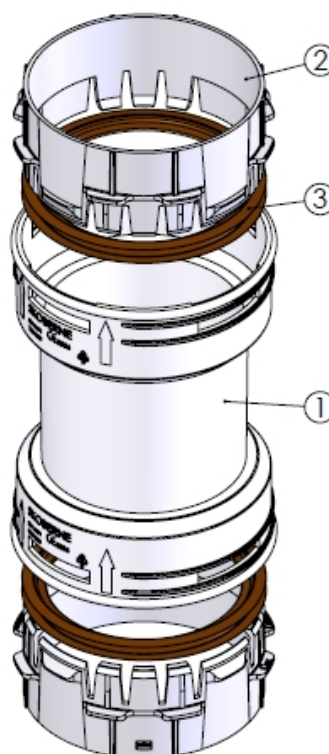
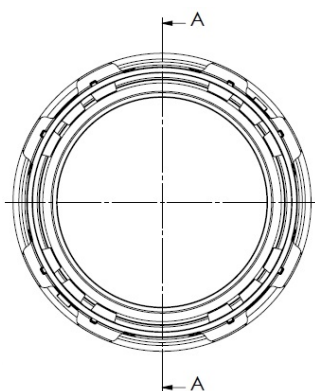


SECTION A-A



3	2	Seal flexible pipe ø80	FKM
2	2	Mounting ring ø80 v4	PP 20%Glass fiber
1	1	Connection flex ø80	PPs
Pos.	QTY.	Description	Material

Hekon art. : CD080-FFKO