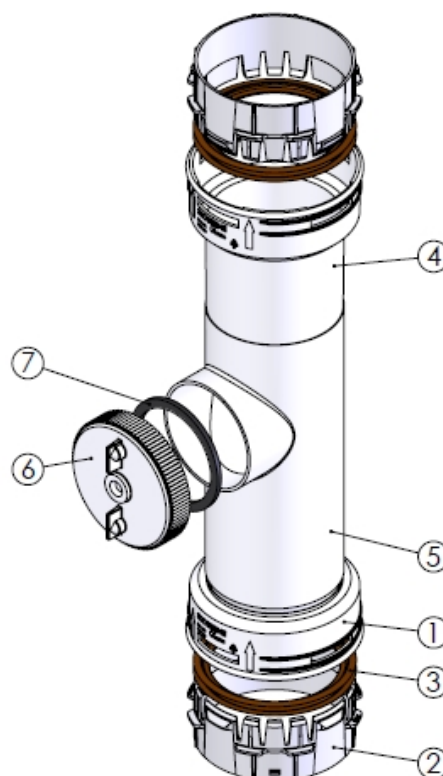
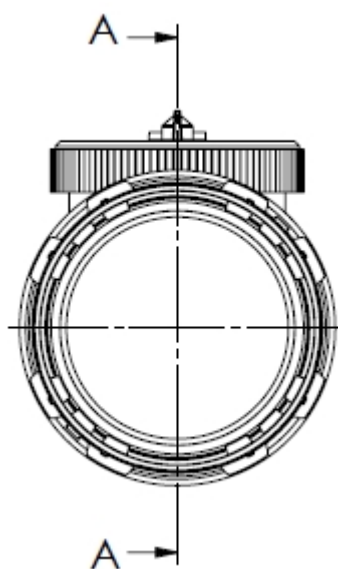


SECTION A-A



7	1	Seal $\varnothing 70$	EPDM
6	1	Cap inspection piece	PPs
5	1	Inspection piece $\varnothing 80$	PPs
4	1	Connection shaft cover $\varnothing 80$	PPs
3	2	Seal flexible pipe $\varnothing 80$	FKM
2	2	Mounting ring $\varnothing 80$ v4	PP 20%Glass fiber
1	1	Connection cover $\varnothing 80$	PPs
Pos.	QTY.	Description	Material

Hekon art. : CD080-FLIL