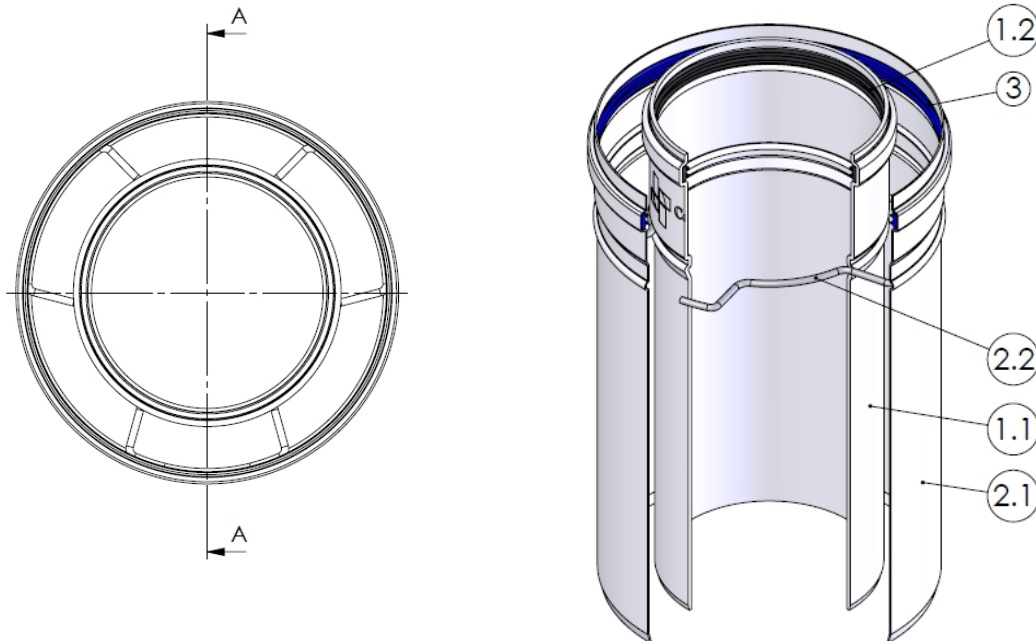


SECTION A-A

Unit of measure: mm



3	1	Seal $\varnothing 150$	VMQ
2.2	1	Spring	RVS 301
2.1	1	Pipe $\varnothing 150$ L240	EN-AW-1050A
2	1	Pipe $\varnothing 150$ L240	-
1.2	1	Seal $\varnothing 100$	EPDM
1.1	1	Pipe $\varnothing 100$ L245	CoxPP
1	1	Pipe $\varnothing 100$ L250	-
Pos.	QTY.	Description	Material

Hekon art. : CD100/150-25