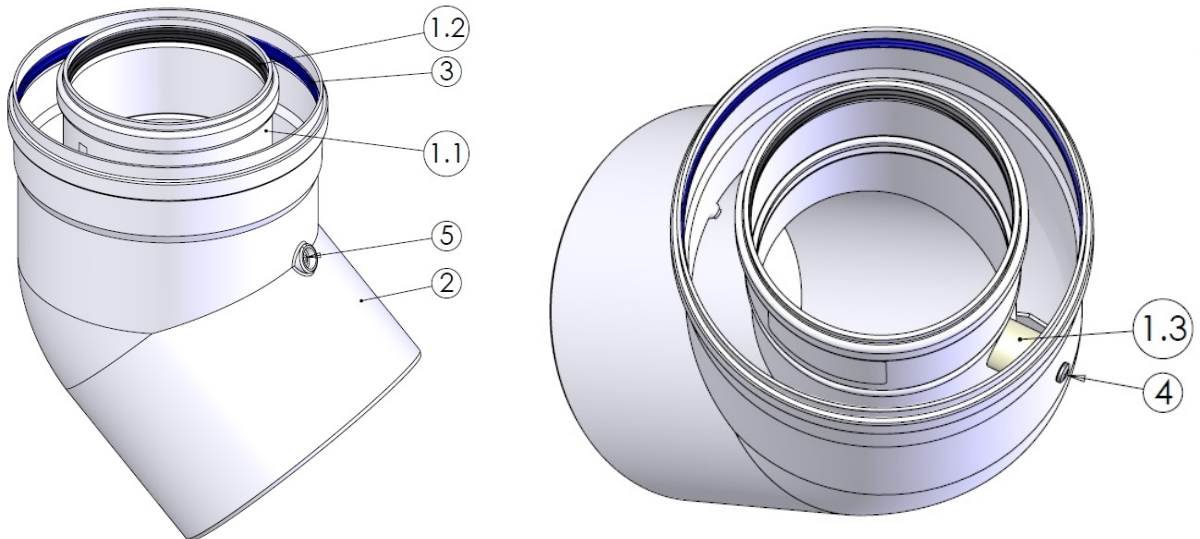


Unit of measure: mm

SECTION A-A



5	1	Rivet ø4 x 9.5	AL
4	1	Screw 4.2 x 16	ELVZ
3	1	Seal ø150	VMQ Air
2	1	Bend ø150-45°	EN-AC46000
1.3	1	Distance cam ø20	PP
1.2	1	Seal ø100	EPDM
1.1	1	Bend ø100 45°	CoxPP
1	1	Bend with distance cam ø100 45°	-
Pos.	QTY.	Description	Material

Hekon art. : CD100/150-45