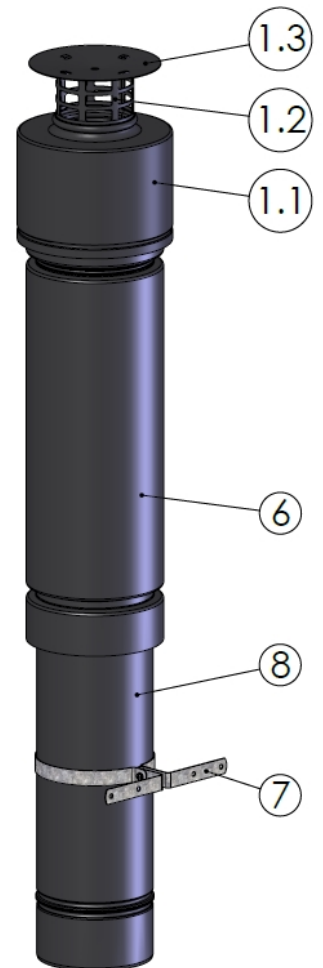
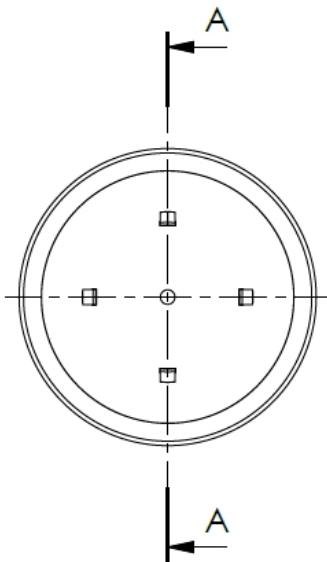


SECTION A-A

Unit of measure: mm



7	1	Mounting Bracket ø150	-
6	1	Upper roof terminal pipe ø150	DX52D
8	1	Air-inlet pipe ø150	DX52D
4	1	Concentric bracing bracket ø100-150	CoxPP-AZA
3	1	Spring	AISI 301
2.2	1	Seal EPDM Flue gas ø100 S	EPDM Flue gas
2.1	1	Pipe ø100 L995	CoxPP
2	1	Pipe ø100 L1000	-
1.3	1	End cap roof terminal ø100-150	EN-AW-1050A
1.2	1	Inlet roof terminal ø100	EN-AW-1050A
1.1	1	Roof terminal cap	EN-AW-1050A
1	1	Roof terminal hood D100-150 AL	-
Pos.	QTY.	Description	Material

Hekon art. : CD100/150DDV