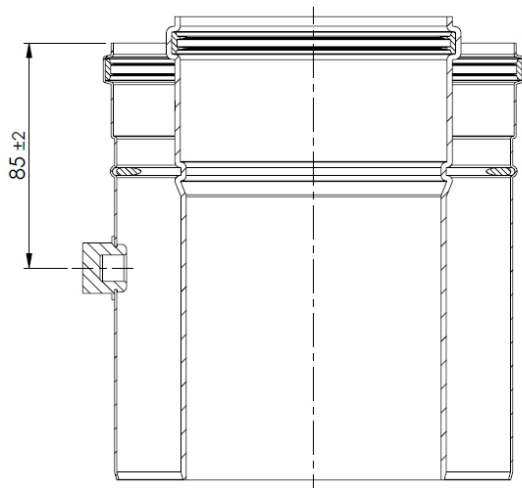
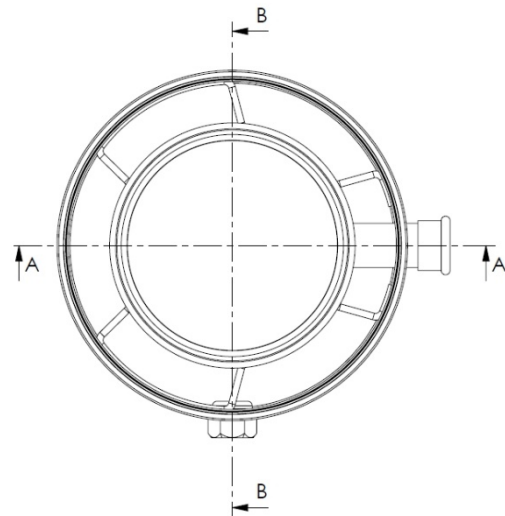


Unit of measure: mm SECTION A-A



SECTION B-B



5	1	Sealing nut	EPDM
4	1	Spring	AISI 301
3	1	Seal VMQ Air ø150	VMQ Air
2	1	Measure point ø150	EN-AW-1050A
1.3	1	Cap, Flue gas, Black	EPDM Flue gas
1.2	1	Seal EPDM Flue gas ø100	EPDM Flue gas
1.1	1	Measure point ø100	-
1	1	Measure point ø100	-
Pos.	QTY.	Description	Material

Hekon art. : CD100/150RGM