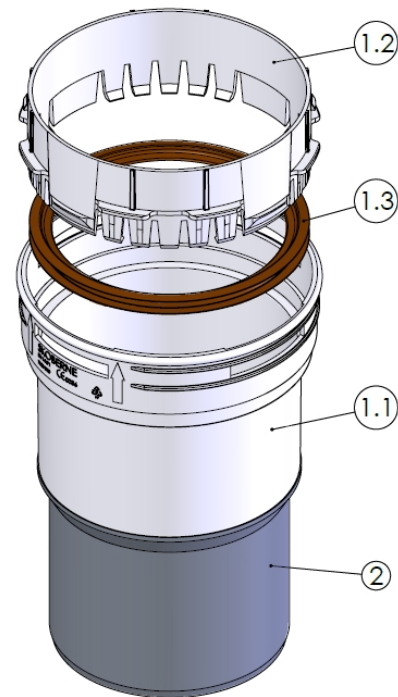
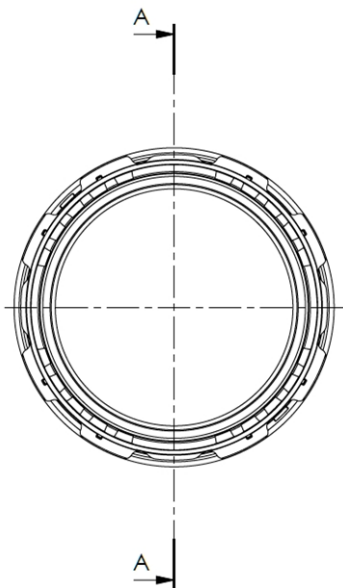


SECTION A-A



2	1	Expansion piece $\phi 100-110$	PPs
1.3	1	Seal flexible pipe $\phi 110$	FKM
1.2	1	Mounting ring $\phi 110$ v4	PP 20%Glass fiber
1.1	1	Connection shaft bend $\phi 110$	PPs
1	1	Flex adapter for chimney bend $\phi 110$	-
Pos.	QTY.	Description	Material

Hekon art. : CD100-FBKO