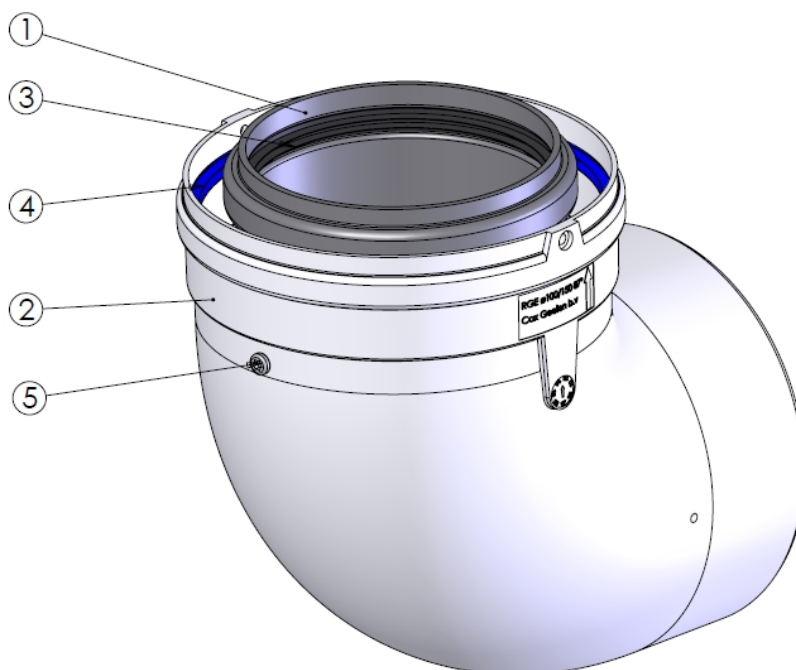


SECTION A-A



5	1	Screw 4.2 x 16	ELVZ
4	1	Seal $\varnothing 150$	VMQ
3	1	Seal $\varnothing 110$	EPDM
2	1	Bend $\varnothing 150$ 87°	EN-AC-46000
1	1	Bend $\varnothing 110$ 87° PPs mirrorweld	PPs
Pos.	QTY.	Description	Material

Hekon art. : CD110/150-90