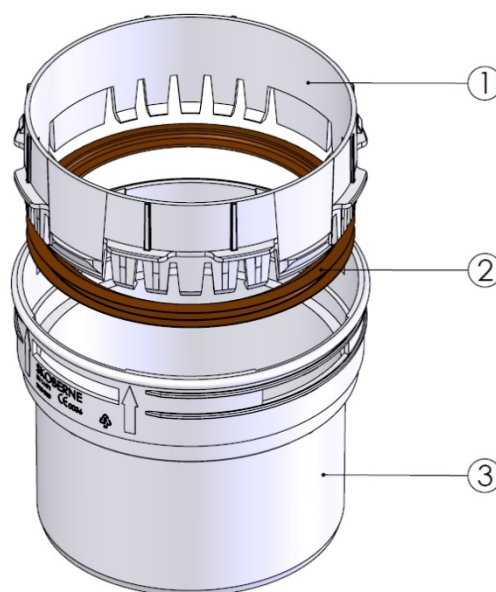
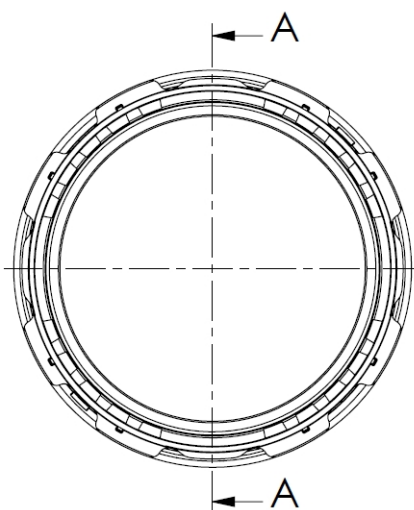


SECTION A-A



3	1	Connection shaft bend ø110	PPs
2	1	Seal flexible pipe ø110	FKM
1	1	Mounting ring ø110 v4	PP 20%Glass fiber
Pos.	QTY.	Description	Material

Hekon art. : CD110-FBKO