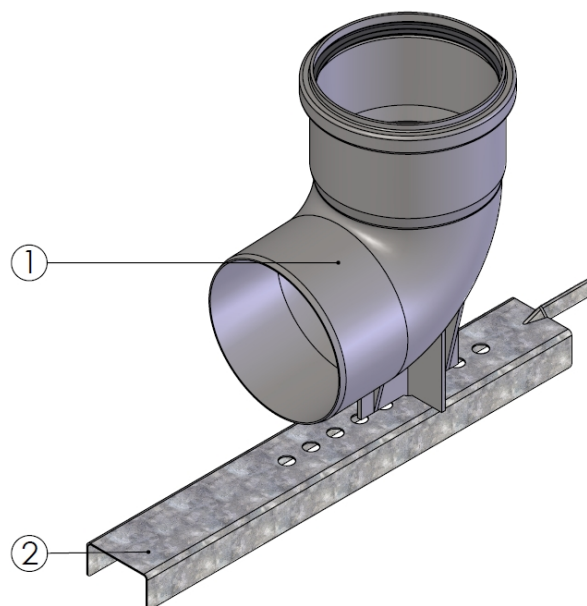


Unit of measure: mm



2	1	Shaft bend support
1	1	Shaft bend $\varnothing 110$
Pos.	QTY.	Description

Hekon art. : CD110-STBP