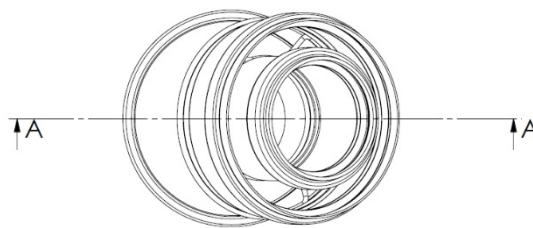
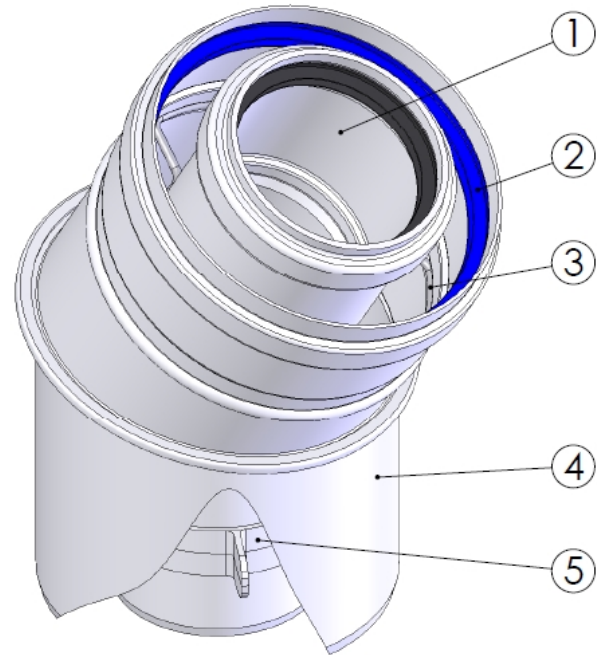


SECTION A-A



5	1	Distance ring ø60-100	PP
4	1	Segment bend ø100 30°	EN-AW-1050A
3	1	Spring ø60-100	RVS 301
2	1	Seal ø100	Silicone
1	1	Bend ø60 30°	-
Pos.	QTY.	Description	Material

Hekon art. : CD60/100-030