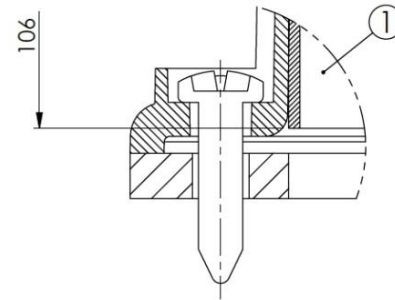
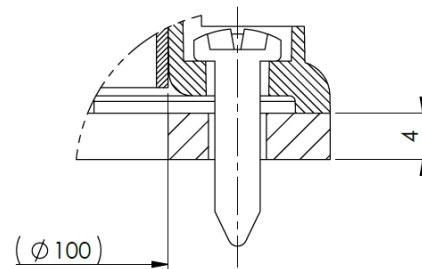


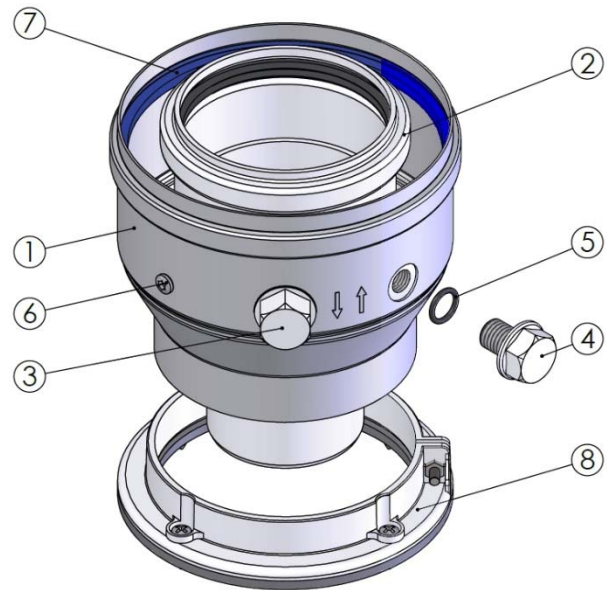
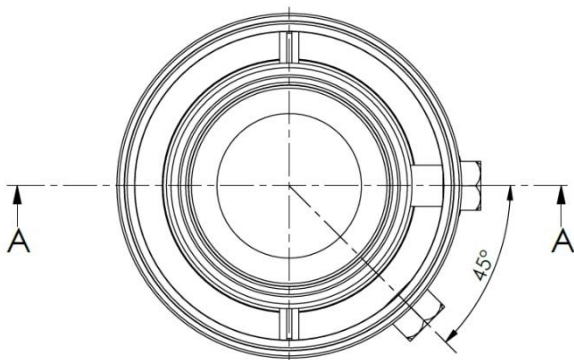
SECTION A-A



DETAIL C



DETAIL B



8	1	Flange $\varnothing 100$ (set)	-
7	1	Seal VMQ Air $\varnothing 125$	VMQ Air
6	2	Screw 4.2 x 13	Galvanized
5	1	O-Ring	EPDM
4	1	Screw M12 x 16	PP
3	1	Sealing nut	EPDM
2	1	Pipe with MP and cams $\varnothing 60-80$	-
1	1	Reduction $\varnothing 100-125$	EN-AW-1050A
Pos.	QTY.	Description	Material

Hekon art. : CD60/100-VG1+