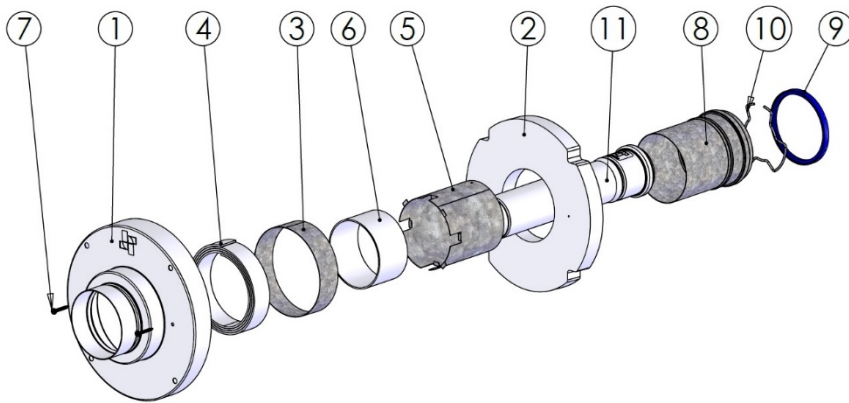
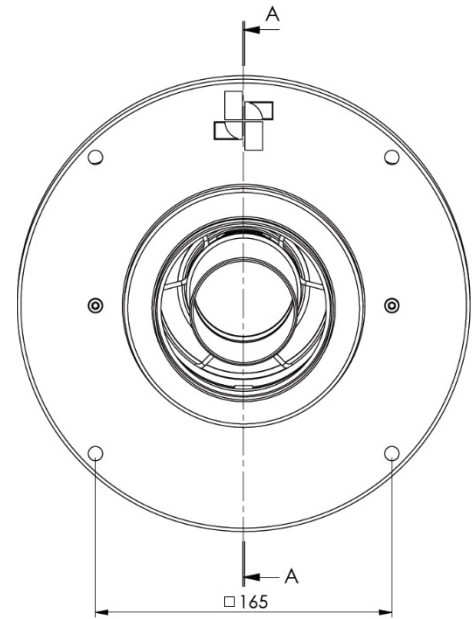
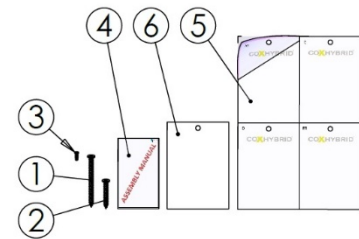


SECTION A-A



Partnumber: ADMFAA600
Configuration: 060 Tube 4 100 Tube pre assembly
Mass[g]: 2357.26

Additional box content



Pos.	QTY.	Description	Part nr
6	1	Rating plate, wall plate	710660
5	1	Rating plate, wall plate sticker	892330
4	1	Assembly manual	892335
3	1	Self-tapping torx screw 3.9 x 13	890043
2	1	Screw 7.2x52 AW30	892289
1	4	Screw ø7.2x92 AW30	892281

11	1	Flue Pipe ø60 Extrusion	CoxPP - EPDM
10	1	Spring ø60-100	AISI 301
9	1	Seal VMQ Air ø100	VMQ Air
8	1	Fire resistant wallplate adjustable pipe ø100	DX51D
7	2	Sheet metal screw ø4,2x25 T20	Galvanized
6	1	Pipe insert ø100	CoxPP-BBA
5	1	Fire resistant wallplate shaft pipe ø100	DX51D
4	1	Fire collar ø100-4	Expansion seal
3	1	Fire resistant wallplate insert ø100	DX51D
2	1	Fire resistant board wall plate 100	Fire resistant board
1	1	Steel tube fire resistant wallplate 100	DC04
Pos.	QTY.	Description	Material

Hekon art. : CD60/100BRAND