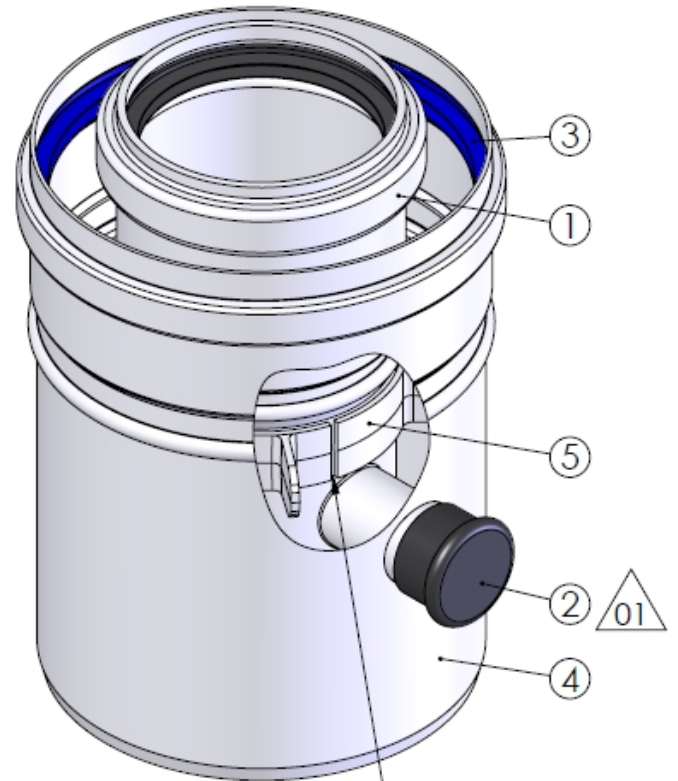
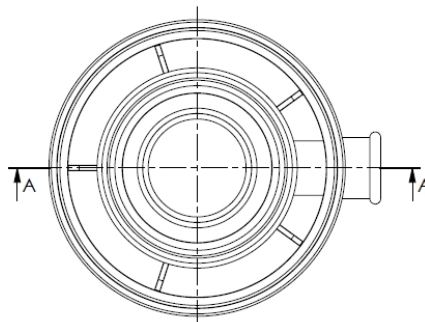


SECTION A-A



Remark:  
Cut upper distance ring before assembling



5	2	Distance ring $\phi 60-100$	PP
4	1	Air pipe $\phi 100$ L140	EN-AW-1050A
3	1	Seal $\phi 100$	VMQ Air
2	1	Cap, Flue gas, Black	EPDM
1	1	Condensation drain $\phi 60$	-
Pos.	QTY.	Description	Material

Hekon art. : CD60/100COND