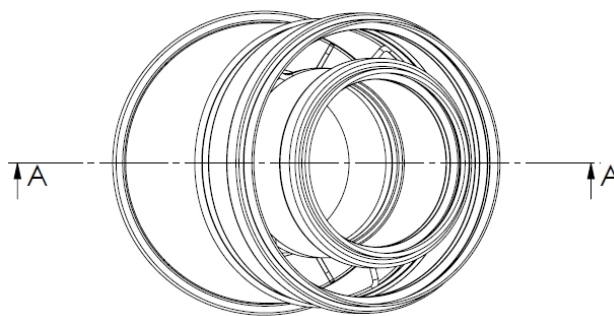
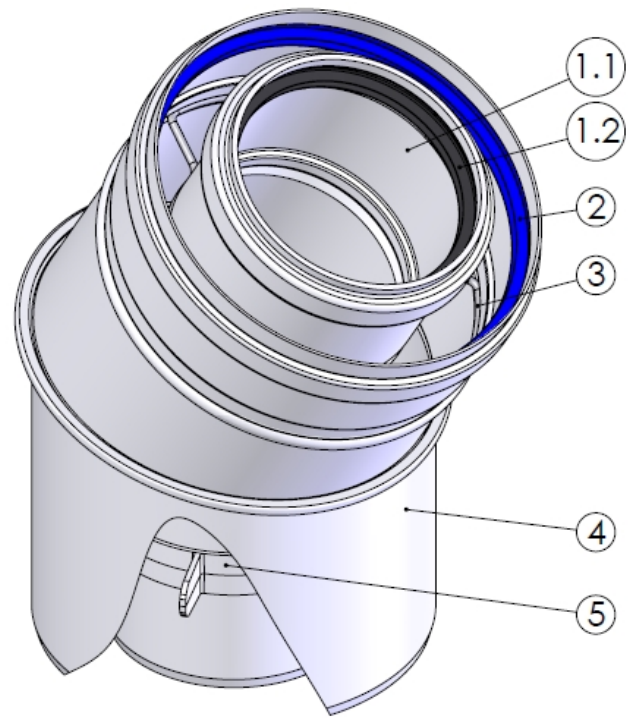


SECTION A-A



5	1	Distance ring	PP
4	1	Segment bend $\varnothing 125$ 30°	EN-AW-1050A
3	1	Spring $\varnothing 80$ -125	1,4310
2	1	Seal $\varnothing 125$	Silicone
1.2	1	Seal $\varnothing 80$	EPDM
1.1	1	Welded Bend $\varnothing 80$ 30°	PPs
1	1	Welded Bend $\varnothing 80$	-
Pos.	QTY.	Description	Material

Hekon art. : CD80/125-030