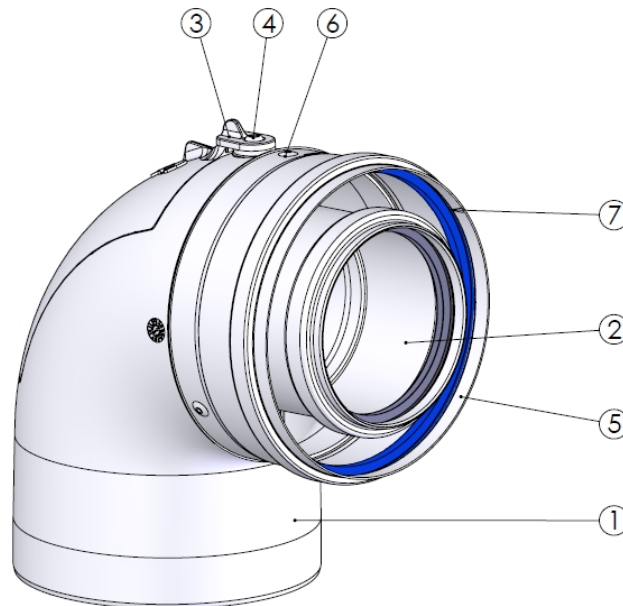
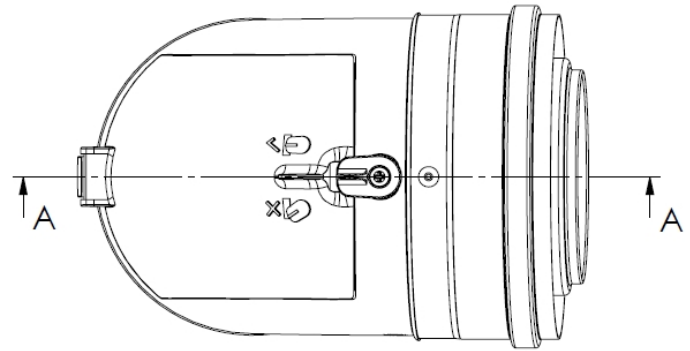


SECTION A-A



7	1	Seal VMQ Air	VMQ Air
6	3	Rivet ø3.2 x 7.9 (White)	Al
5	1	Air pipe ø125	EN-AC 46000
4	1	Screw ø5.5	Galvanized
3	1	Slide clip	PA6
2	1	Flue inspection bend ø80	-
1	1	Air inspection bend ø125	-
Pos.	QTY.	Description	Material

Hekon art. : CD80/125-B9L