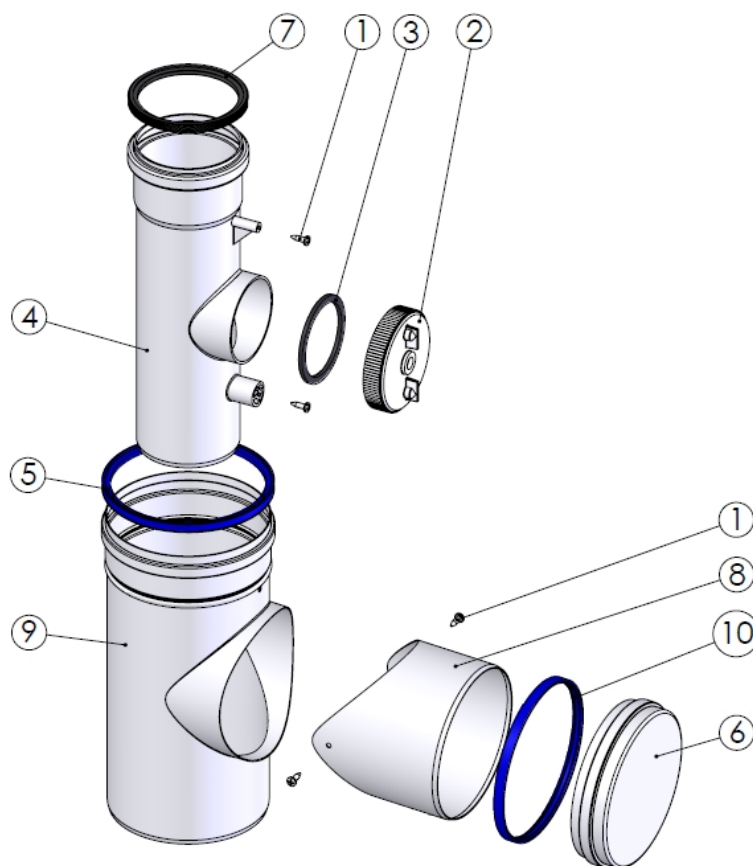


SECTION A-A



10	1	Seal VMQ Air ø125	VMQ Air
9	1	Air inlet T-piece ø125	EN-AW-1050A
8	1	Air inlet stuts ø125	EN-AW-1050A
7	1	Seal ø80	EPDM Flue gas
6	1	Cap	EN-AW-1050A
5	1	Seal VMQ Air ø125	VMQ Air
4	1	Inspection piece ø80-125	PPs
3	1	Seal ø70	EPDM
2	1	Cap inspection piece	PPs
1	4	Screw 3.9 x 13	Stainless A2
Pos.	QTY.	Description	Material

Hekon art. : CD80/125-LUI